



**Operation &
Maintenance Manual**

Spel Ecoceptor®

In-line Gross Pollutant Trap



spel.com.au



Introduction

The SPEL Ecoceptor is a hydrodynamic in-line Gross Pollutant Trap (GPT) that has a unique treatment action producing low velocity conditions producing discharge water quality outcomes complying to statutory guidelines across Australia.

It separates and captures sediments, silt, total suspended solids, and oil and grease. Oil & grease rise to the "oil-capture" zone of the treatment chamber and are contained in all flow events.

Areas with a high fraction of impervious surfaces, including car parks, ports, streetscapes, roads, subdivisions and industrial estates that require stormwater treatment are ideal for the SPEL Ecoceptor. MUSIC node is available on request.

The one-piece, self-contained fibreglass construction, is lightweight and yet robust in strength making it simple and cost-effective when performing installations.

The SPEL Ecoceptor is delivered to site fully assembled saving on installation time and crane costs. The SPEL Ecoceptor fibreglass GPT can be installed in all types of trafficable zones, including vehicular truck (Class D).

The cylindrical shape of the SPEL Ecoceptor with its sloped cone-configured base ensures sediment accretes at the centre of the Ecoceptor's base facilitating easy and simple cleaning.

The poly/fibreglass construction ensures that oil and grease are removed without sticking to the sides of the internal walls.

Flow rates on standard units of up to 1400 LPS and can fit pipe sizes from 225mm to 1200mm (other sizes available on request.)



Maintenance

INSPECTION AND CLEANING

The regularity of inspections of the SPEL Ecoceptor is contingent on the features and properties of the catchment area.

SPEL recommends inspection of the Ecoceptor one month after installation to determine the volume of trapped silt and pollutants.

Information sourced can be useful in factoring the frequency of on-going inspections or cleaning operations.

In the event of excessive rain or an oil spill, an inspection is recommended immediately.

Ascertain silt depth and if build-up is evident, then a vacuum-loader truck should be engaged for the cleaning of the tank.

SPEL Ecoceptor cleaning procedure is simple, by simply lifting the external lid (two persons may be required), resting it securely in a safe manner and then inserting suction hose into the chamber.

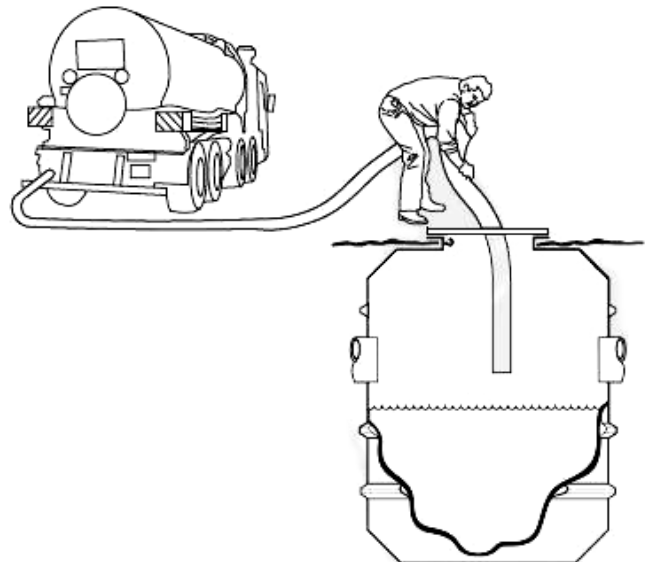
Ensure that the chamber is thoroughly cleaned of all refuse and debris before accessing the chamber - if required.

The chamber is cleaned by inserting the suction hose through the manhole at ground level.

Always commence cleaning from the inlet side of the chamber and ensure on completion of the cleaning operation that the lid is secured to its normal position (and locked if necessary) before departing the site.

IMPORTANT

SPEL Environmental takes safety seriously and recommends that prior to the entry of any of its devices, that maintenance personnel undertake relevant safety checks and use appropriate safety equipment. SPEL devices are considered confined spaces and should only be entered by appropriately trained and certified personnel with the necessary safety equipment.



Spel ECOCEPTOR 1500 SERIES

1500

SELECTION CHART

Weight approximately 300kg each

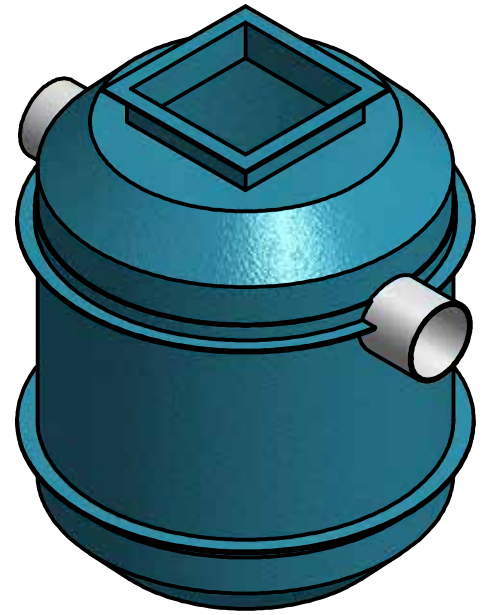
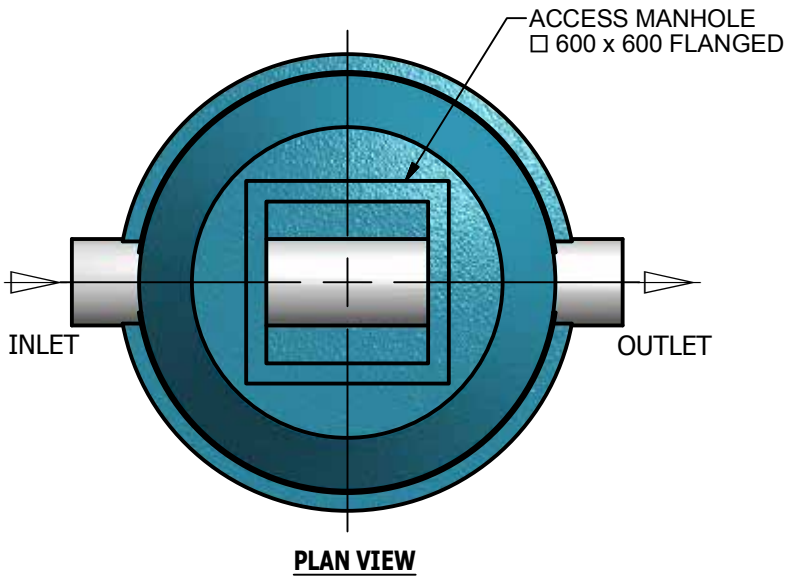
Model	E/151515	E/152222	E/153030	E/153737	E/154545
Inlet (mm)	150	225	300	375	450
Outlet (mm)	150	225	300	375	450
Invert* Level (mm)	700	700	700	800	800
Overall* Height (mm)	1950	1950	1950	1950	1950
Internal Diameter (mm)	1520	1520	1520	1520	1520
Manhole Opening (mm)	600 x 600	600 x 600	600 x 600	600 x 600	600 x 600
Manhole Quantity	1	1	1	1	1
Max Silt Capacity (Litre)	1200	1200	1200	1200	1200
Max Hydrocarbon Capacity (Litre)	1200	1200	1200	1200	1200
Max Capacity (Litre)	3000	3000	3000	3000	3000

SPEL Environmental accepts no responsibility for any loss or damage resulting from any person acting on this information. The details and dimensions contained in this document may change, please check with SPEL Environmental for confirmation of current specifications. *Height does not include lid.

2

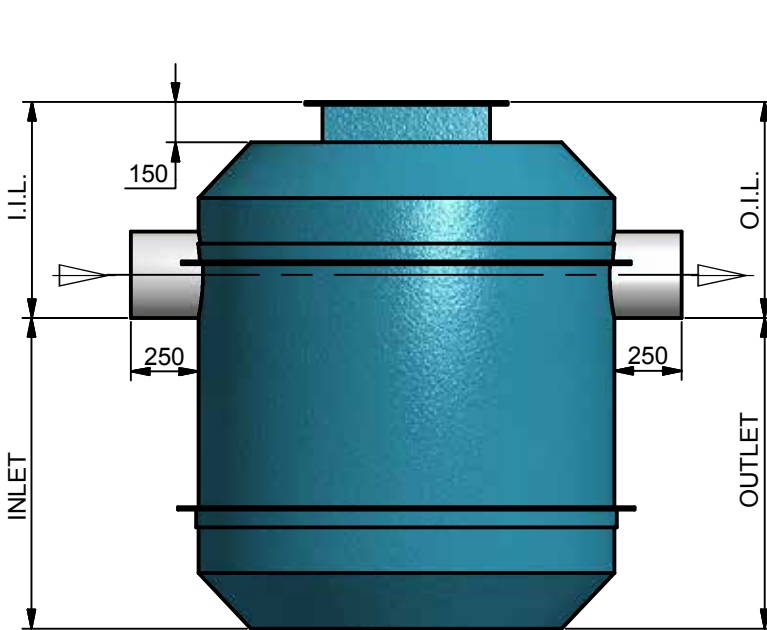


1

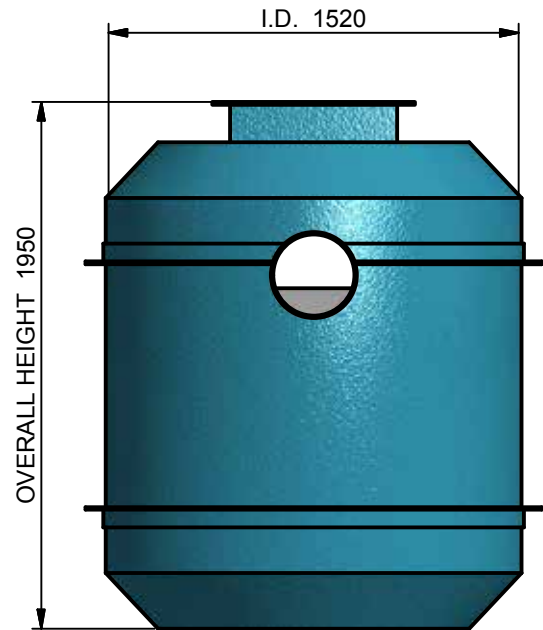


ISOMETRIC VIEW

NOTE:
RCP TYPE COLLARS AVAILABLE



ELEVATION VIEW



SIDE VIEW

TOLERANCE: ALL DIMENSIONS 10mm UNLESS OTHERWISE STATED.

ALL INTERCONNECTING PIPEWORK, PITS AND ASSOCIATED DRAINAGE BY OTHERS

Drawn P.Z.	Date 09-10-17
Check	Date
Verified	Date
Approved	Date
Request No. RN4643	

spelstormwater
joy in water

100 Silverwater Road Silverwater NSW 2128
PH: 1300 773 500 | E: sales@spel.com.au
www.spel.com.au

PRODUCT : SPEL ECOCEPTOR 1500 SERIES			
TITLE			
SCALE N.T.S	SIZE 1	SHEET 1	REV 1
CUSTOMER CODE :		DWG No. SP17-EC39160-P	

2



1

C:\Vault Working Folder\Designs\SPEL PRODUCTS\ECOCEPTOR\1500 Series\SPEL BROCHURE DRAWING\SP17-EC39160-P.IDW

Spel ECOCEPTOR 2000 SERIES

2000

SELECTION CHART

Weight approximately 350kg each

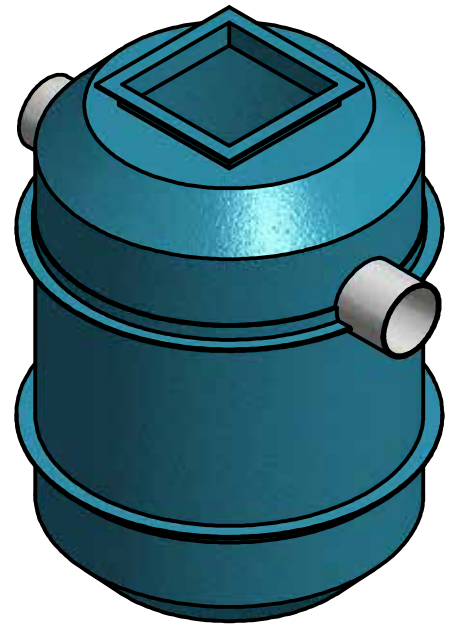
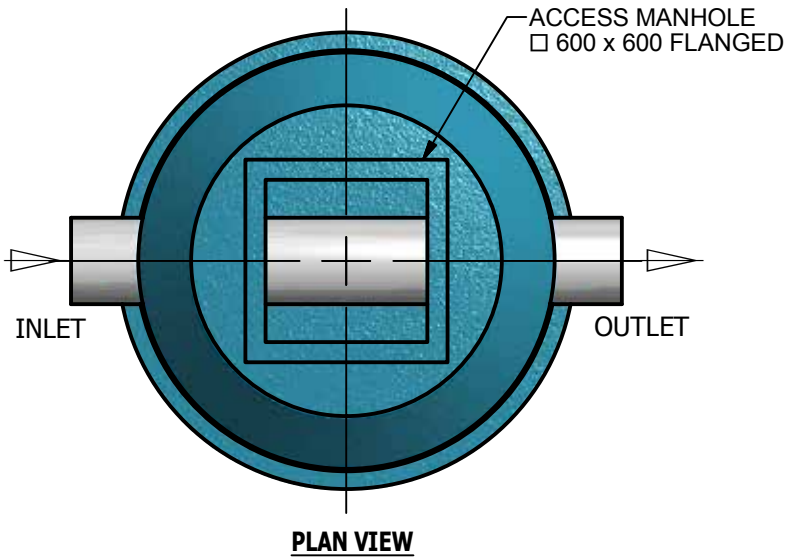
Model	E/202222	E/203030	E/203737	E/204545
Inlet (mm)	225	300	375	450
Outlet (mm)	225	300	375	450
Invert* Level (mm)	800	800	800	800
Overall* Height (mm)	2200	2200	2200	2200
Diameter (mm)	1520	1520	1520	1520
Manhole Opening (mm)	600 x 600	600 x 600	600 x 600	600 x 600
Manhole Quantity	1	1	1	1
Max Silt Capacity (Litre)	1200	1200	1200	1200
Max Hydrocarbon Capacity (Litre)	1200	1200	1200	1200
Max Capacity (Litre)	3500	3500	3500	3500

SPEL Environmental accepts no responsibility for any loss or damage resulting from any person acting on this information. The details and dimensions contained in this document may change, please check with SPEL Environmental for confirmation of current specifications. *Height does not include lid.

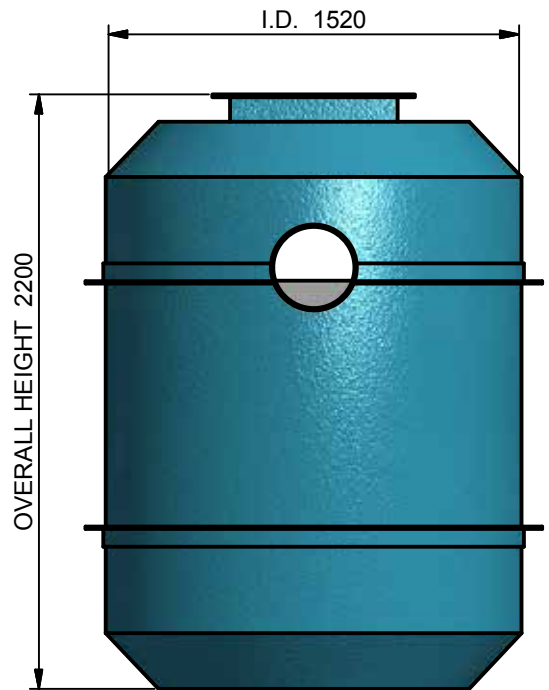
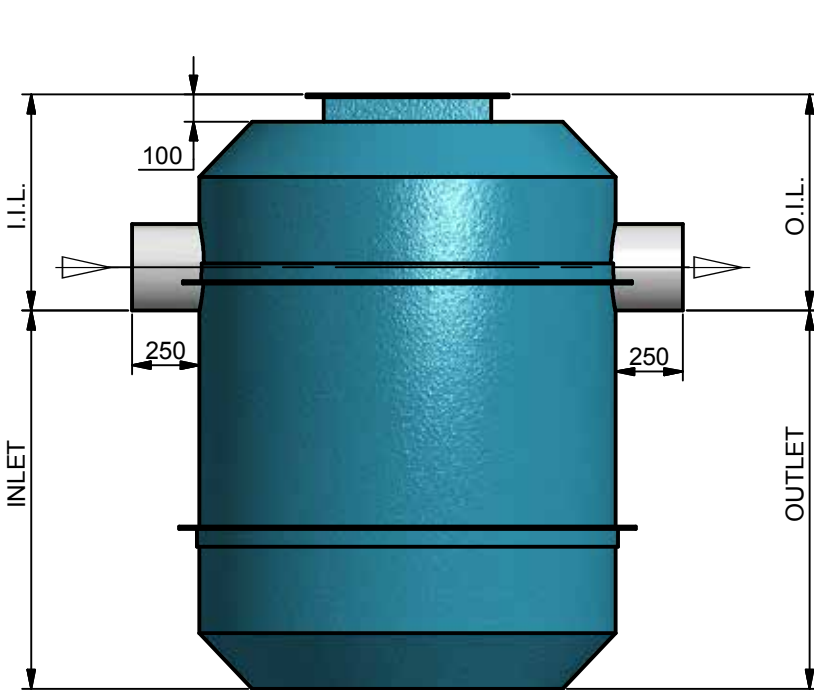
2



1



NOTE:
RCP TYPE COLLARS AVAILABLE



ELEVATION VIEW

SIDE VIEW

TOLERANCE: ALL DIMENSIONS 10mm UNLESS OTHERWISE STATED.

ALL INTERCONNECTING PIPEWORK, PITS AND ASSOCIATED DRAINAGE BY OTHERS

Drawn P.Z.	Date 09-10-17
Check	Date
Verified	Date
Approved	Date
Request No. RN4643	

100 Silverwater Road Silverwater NSW 2128
PH: 1300 773 500 | E: sales@spel.com.au
www.spel.com.au

PRODUCT : SPEL ECOCEPTOR 2000 SERIES			
TITLE			
SCALE N.T.S	SIZE 1	SHEET 1	REV 1
CUSTOMER CODE :		DWG No. SP17-EC39160-P	

2



1

C:\Vault\Working\Folder\Designs\SPEL\PRODUCTS\ECOCEPTOR\2000 Series\SPEL_BROCHURE_DRAWING\SP17-EC39160-P.IDW

Spel ECOCEPTOR 4000 SERIES

4000

SELECTION CHART

Weight approximately 500kg each

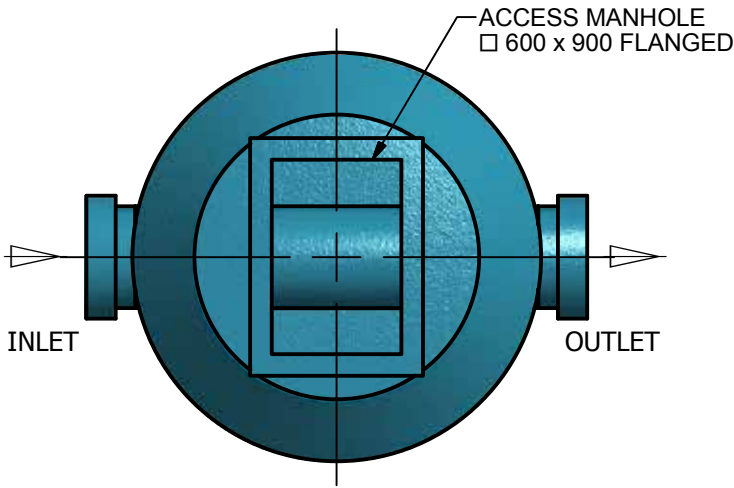
Model	E/403737	E/404545	E/405252	E/406060
Inlet (mm)	375	450	520	600
Outlet (mm)	375	450	520	600
Invert* Level (mm)	1200	1200	1200	1200
Overall* Height (mm)	3000	3000	3000	3000
Diameter (mm)	1800	1800	1800	1800
Manhole Opening (mm)	600 x 900	600 x 900	600 x 900	600 x 900
Manhole Quantity	1	1	1	1
Max Silt Capacity (Litre)	2500	2500	2500	2500
Max Hydrocarbon Capacity (Litre)	1500	1500	1500	1500
Max Capacity (Litre)	7000	7000	7000	7000

SPEL Environmental accepts no responsibility for any loss or damage resulting from any person acting on this information. The details and dimensions contained in this document may change, please check with SPEL Environmental for confirmation of current specifications. *Height does not include lid.

2



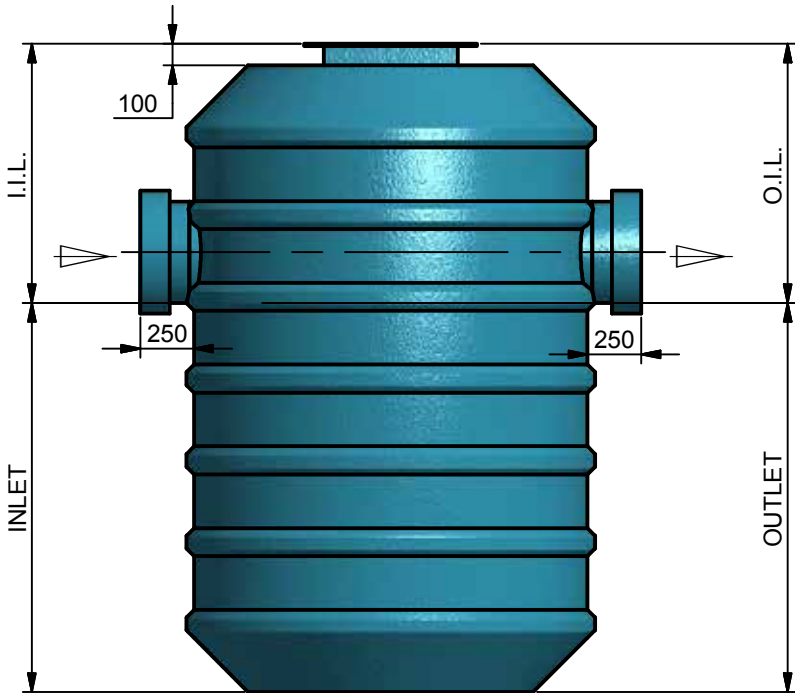
1



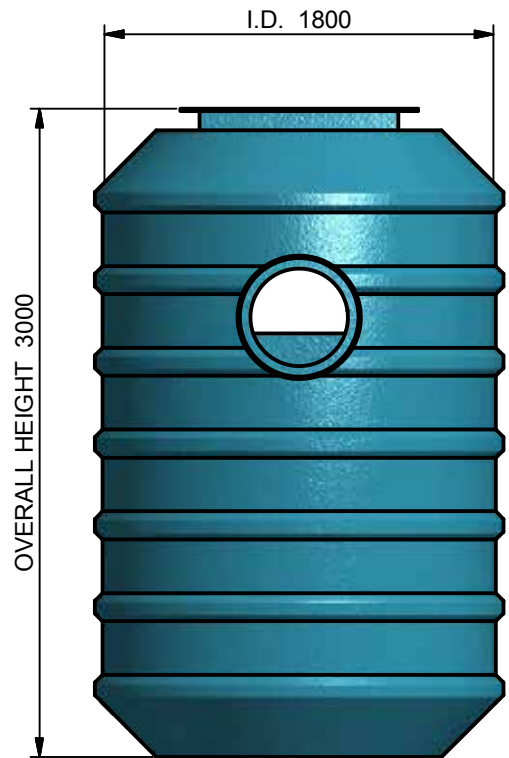
PLAN VIEW



ISOMETRIC VIEW



ELEVATION VIEW



SIDE VIEW

TOLERANCE: ALL DIMENSIONS 10mm UNLESS OTHERWISE STATED.

ALL INTERCONNECTING PIPEWORK, PITS AND ASSOCIATED DRAINAGE BY OTHERS

Drawn P.Z.	Date 10-10-17
Check	Date
Verified	Date
Approved	Date
Request No. RN4656	

100 Silverwater Road Silverwater NSW 2128
PH: 1300 773 500 | E: sales@spel.com.au
www.spel.com.au

PRODUCT : SPEL ECOCEPTOR 4000 SERIES			
TITLE			
SCALE N.T.S	SIZE 1	SHEET 1	REV 1
CUSTOMER CODE :		DWG No. SP17-EC39280-P	

C:\Vault Working Folder\Designs\SPEL\PRODUCTS\ECOCEPTOR\4000 Series\SPEL BROCHURE DRAWING\SP17-EC39280-P.IDW

2



1

Spel ECOCEPTOR 6000 SERIES

6000

SELECTION CHART

Weight approximately 700kg each

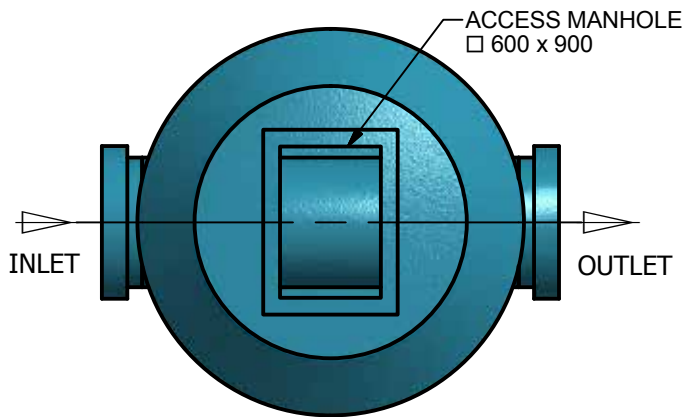
Model	E/606767	E/607575	E/609090
Inlet (mm)	675	750	900
Outlet (mm)	675	750	900
Invert* Level (mm)	1400	1400	1400
Overall* Height (mm)	3300	3300	3300
Diameter (mm)	2200	2200	2200
Manhole Opening (mm)	900 x 600	900 x 600	900 x 600
Manhole Quantity	1	1	1
Max Silt Capacity (Litre)	6000	6000	6000
Max Hydrocarbon Capacity (Litre)	2200	2200	2200
Max Capacity (Litre)	11500	11500	11500

SPEL Environmental accepts no responsibility for any loss or damage resulting from any person acting on this information. The details and dimensions contained in this document may change, please check with SPEL Environmental for confirmation of current specifications. *Height does not include lid.

2



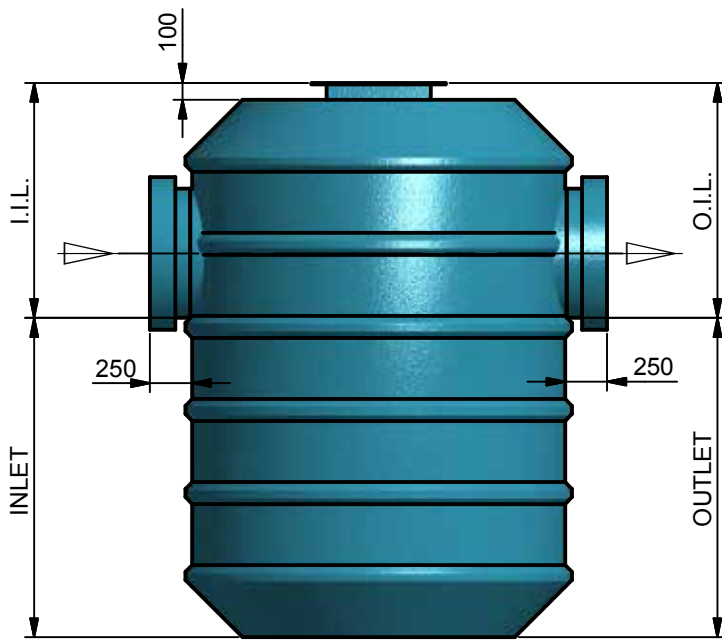
1



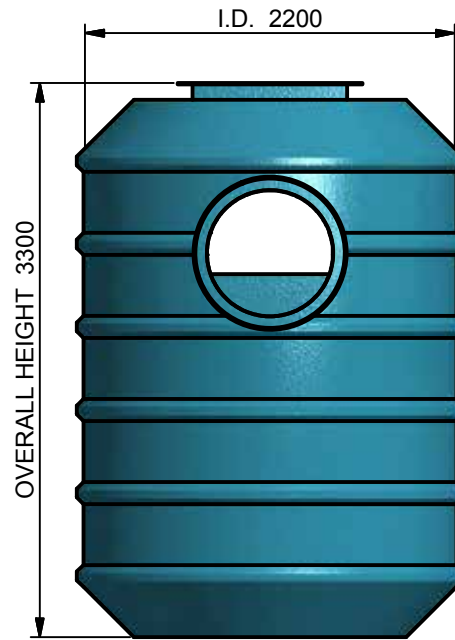
PLAN VIEW



ISOMETRIC VIEW



ELEVATION VIEW



SIDE VIEW

TOLERANCE: ALL DIMENSIONS 10mm UNLESS OTHERWISE STATED.

ALL INTERCONNECTING PIPEWORK, PITS AND ASSOCIATED DRAINAGE BY OTHERS

Drawn P.Z.	Date 10-10-17
Check	Date
Verified	Date
Approved	Date
Request No. RN4656	

spelstormwater
joy in water

100 Silverwater Road Silverwater NSW 2128
PH: 1300 773 500 | E: sales@spel.com.au
www.spel.com.au

PRODUCT : SPEL ECOCEPTOR 6000 SERIES			
TITLE			
SCALE N.T.S	SIZE 1	SHEET 1	REV 1
CUSTOMER CODE :		DWG No. SP17-EC39300-P	

2



1

C:\Vault\Working Folder\Designs\SPEL\PRODUCTS\ECOCEPTOR\6000 Series\SPEL BROCHURE DRAWING\SP17-EC39300-P.DWG

Spel ECOCEPTOR 8000 SERIES

8000

SELECTION CHART

Weight approximately 1350kg each

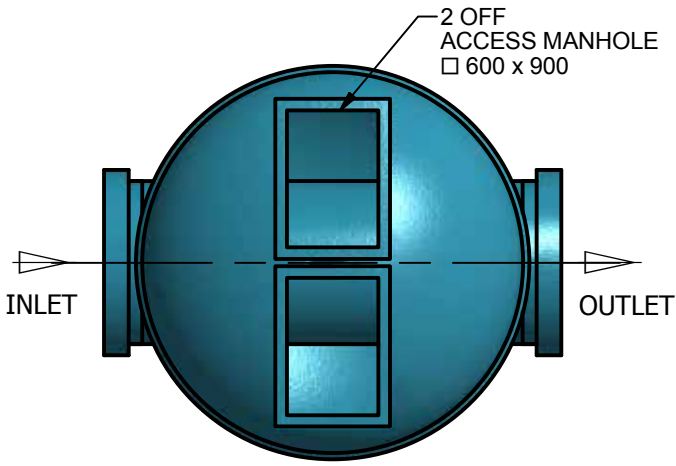
Model	E.175.105105	E.185.135135	E.200.150150	E.8018090.BC
Inlet (mm)	1050	1350	1500	1800 X 800 BC
Maximum Treatment Flow	1750 LPS	1850 LPS	2000 LPS	-
Outlet (mm)	1050	1350	1500	1800 X 800 BC
Invert* Level (mm)	2400	2400	2400	1800
Overall* Height (mm)	4500	4500	4500	4500
Diameter (mm)	2480	2480	2480	2480
Manhole Opening (mm)	900 x 600	900 x 600	900 x 600	900 x 600
Manhole Quantity	2	2	2	1
Max Silt Capacity (Litre)	10,000	10,000	10,000	10,000
Max Hydrocarbon Capacity (Litre)	4200	4200	4200	4200
Max Capacity (Litre)	19,000	19,000	19,000	19,000

SPEL Environmental accepts no responsibility for any loss or damage resulting from any person acting on this information. The details and dimensions contained in this document may change, please check with SPEL Environmental for confirmation of current specifications. *Height does not include lid.

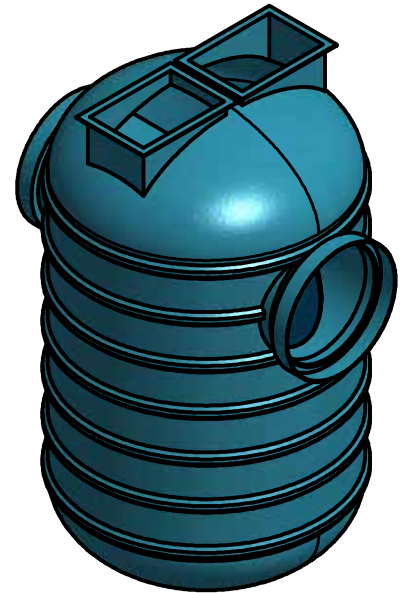
2



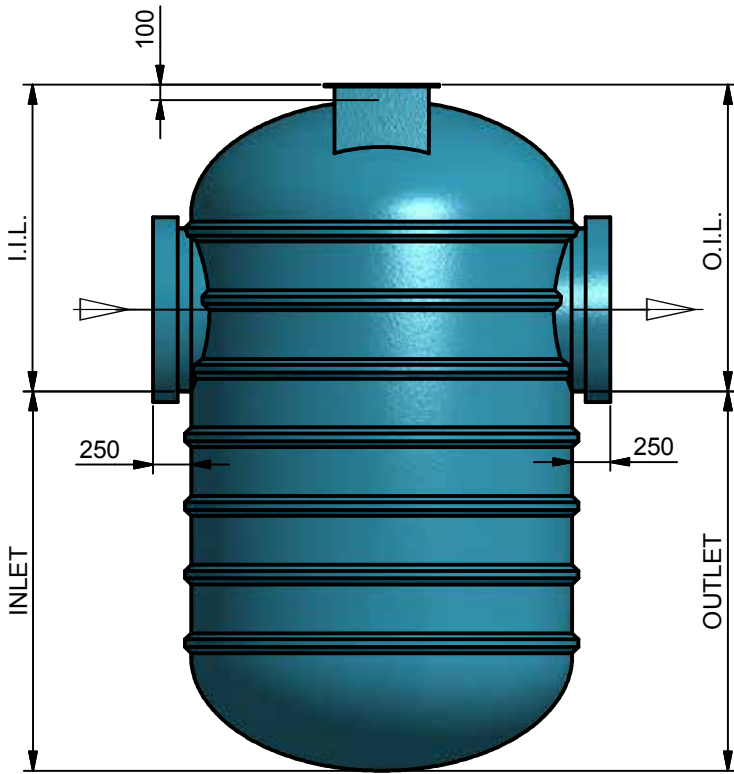
1



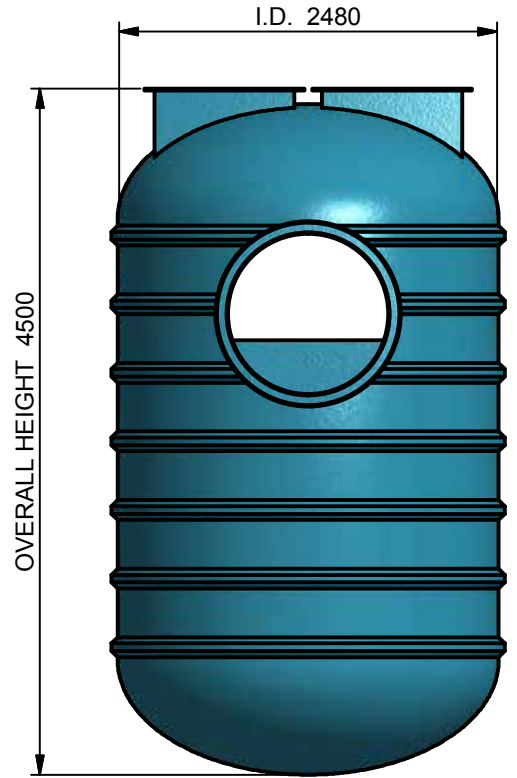
PLAN VIEW



ISOMETRIC VIEW



ELEVATION VIEW



SIDE VIEW

TOLERANCE: ALL DIMENSIONS 10mm UNLESS OTHERWISE STATED.

ALL INTERCONNECTING PIPEWORK, PITS AND ASSOCIATED DRAINAGE BY OTHERS

Drawn P.Z.	Date 22-03-18
Check	Date
Verified	Date
Approved	Date
Request No. RN1801	



spelstormwater
joy in water

100 Silverwater Road Silverwater NSW 2128
PH: 1300 773 500 | E: sales@spel.com.au
www.spel.com.au

PRODUCT : SPEL ECOCEPTOR 8000 SERIES			
TITLE			
SCALE N.T.S	SIZE 1	SHEET 1	REV 1
CUSTOMER CODE :		DWG No. SP18-EC10590-P	

2



1

C:\Vault\Working Folder\Designs\SP18\PRODUCTS\ECOCEPTOR\8000 Series\SP18-EC10590-P.dwg



spelstormwater
joy in water

100 Silverwater Rd, Silverwater NSW 2128 Australia

Phone: (02) 8705 0255

Fax: (02) 8014 8699

Email: sales@spel.com.au

spel.com.au

SPEL Stormwater accepts no responsibility for any loss or damage resulting from any person acting on this information. The details and dimensions contained in this document may change, please check with SPEL Stormwater for confirmation of current specifications.