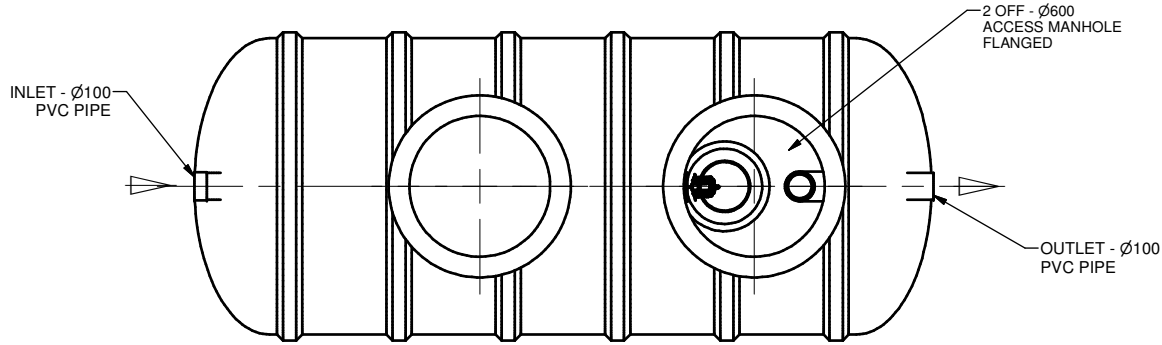
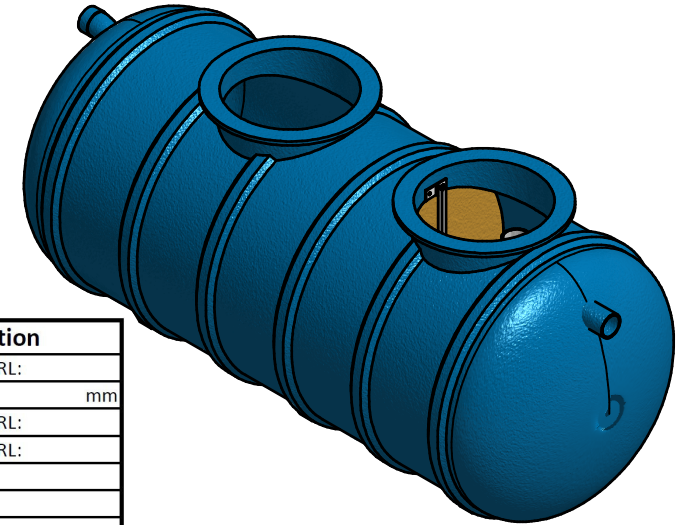


| REVISION HISTORY | | | | |
|------------------|-----------------|----------|--------------|------------|
| REV | DESCRIPTION | DESIGNER | CREATION DAT | CHECKED BY |
| 1 | INITIAL RELEASE | M.MAKIN | 17/03/2016 | |

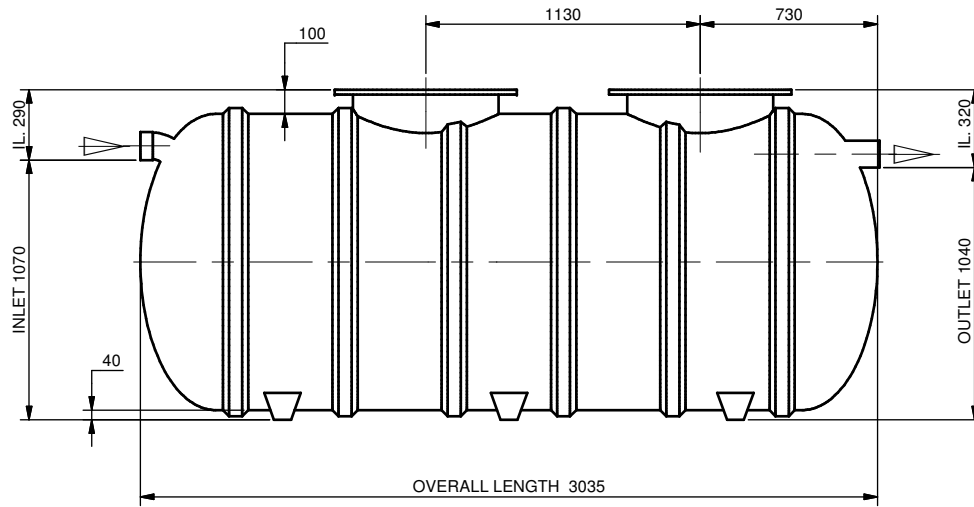


PLAN VIEW

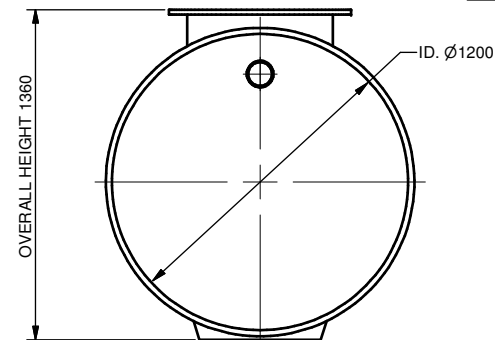
| Site Level Confirmation | |
|------------------------------|-----|
| Finished Surface Level (FSL) | RL: |
| Access Cover Thickness | mm |
| Inlet Invert Level | RL: |
| Outlet Invert Level | RL: |
| Company: | |
| Name: | |
| Date: | |



ISOMETRIC VIEW



ELEVATION VIEW



| | |
|-----------------------|--------------------------|
| APPROVED..... | <input type="checkbox"/> |
| NAME..... | |
| SIGNED..... | |
| DATE...../...../..... | |

ISSUED FOR CONSTRUCTION

TOLERANCE: ALL DIMENSIONS 10mm UNLESS OTHERWISE STATED.

CLIENT:

DISTRIBUTOR :

CONFIDENTIAL - The drawings must not be disclosed to any third parties without written permission from SPEL Environmental Sydney. Unauthorised disclosure may result in prosecution.
 © SPEL Environmental - This drawing is the property of SPEL Environmental ABN: 83 151 832 629 and is subject to return on demand. It is submitted for the use only in connection with the proposal and contracts of SPEL Environmental with the expressed conditions that it is not to be reproduced or copied in any form. This data must only be used in accordance with our standard terms and conditions.
 © Copyright
 SPEL Environmental accepts no responsibility for any loss or damage resulting from any person acting on this information. The details and dimensions contained in this document may change, please check with SPEL Environmental for confirmation of current specifications.

| | |
|-------------|----------|
| Drawn | Date |
| M.MAKIN | 17-03-16 |
| Check | Date |
| Verified | Date |
| Approved | Date |
| Request No. | |
| RN2431 | |

SPEL
 ENVIRONMENTAL
 INTEGRATED WATER SOLUTIONS

100 Silverwater Road Silverwater NSW 2128
 PH: 1300 773 500 | E: sales@spel.com.au
 www.spel.com.au

| | | | |
|--|------------|--------------------------|----------|
| PROJECT : | | | |
| TITLE SPEL PURACEPTOR P.006.C1.2CA.100.AG GENERAL ARRANGEMENT | | | |
| SCALE N.T.S | SIZE A3 | SHEET 1 | REV 1 |
| CUSTOMER CODE : | | DWG No. SP16-PC2810-S | |

C:\Work\Working Folder\Design\SPEL\PRODUCTS\PURACEPTOR\000_Series\006.C1.2CA100.AG\SP16-PC2810-S.dwg