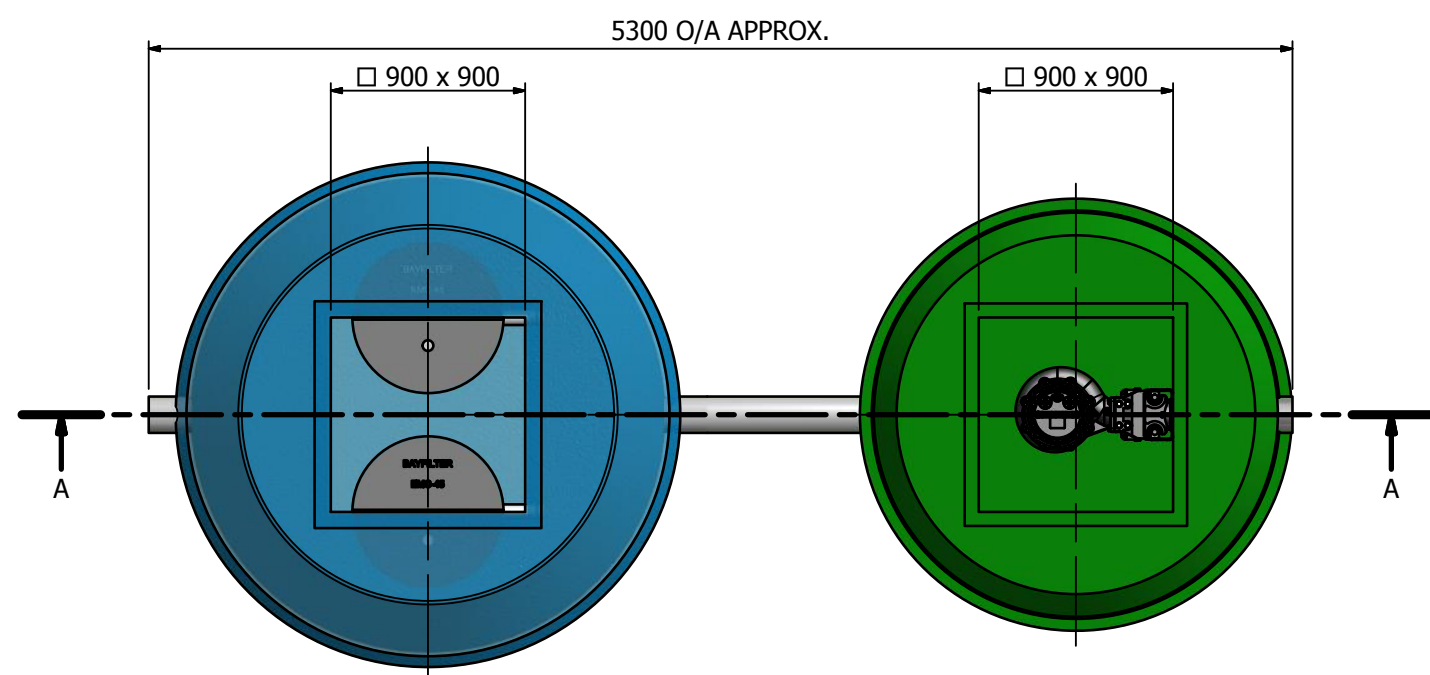
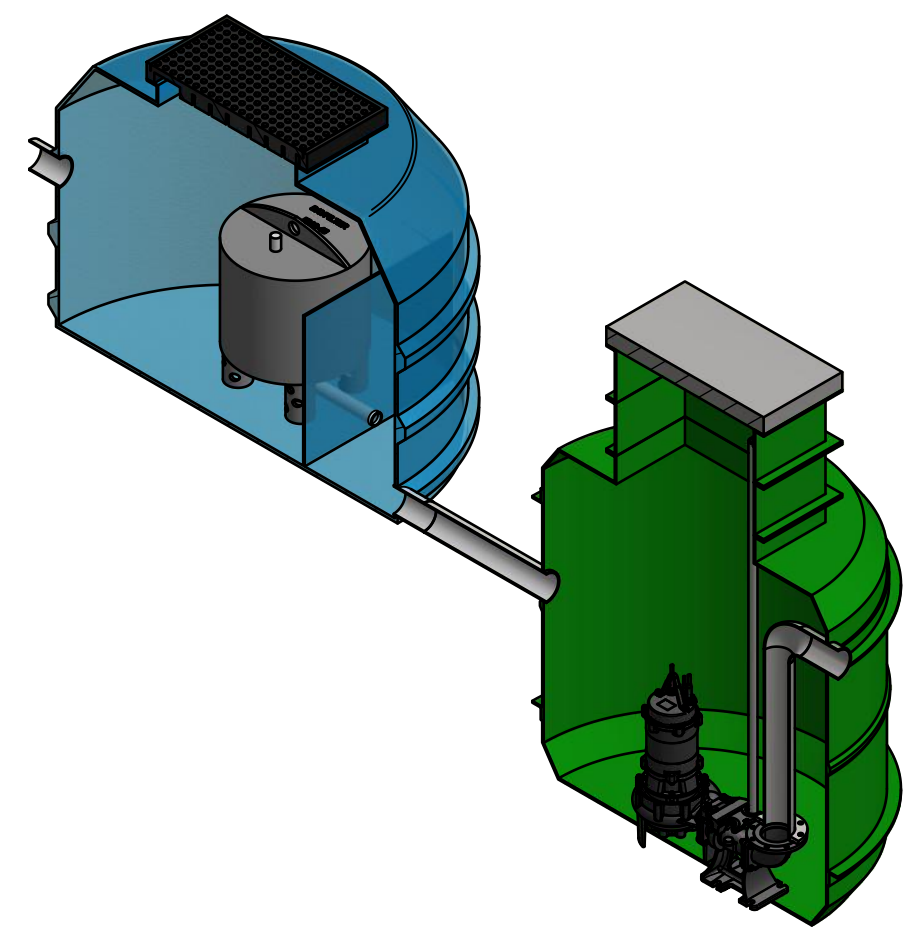


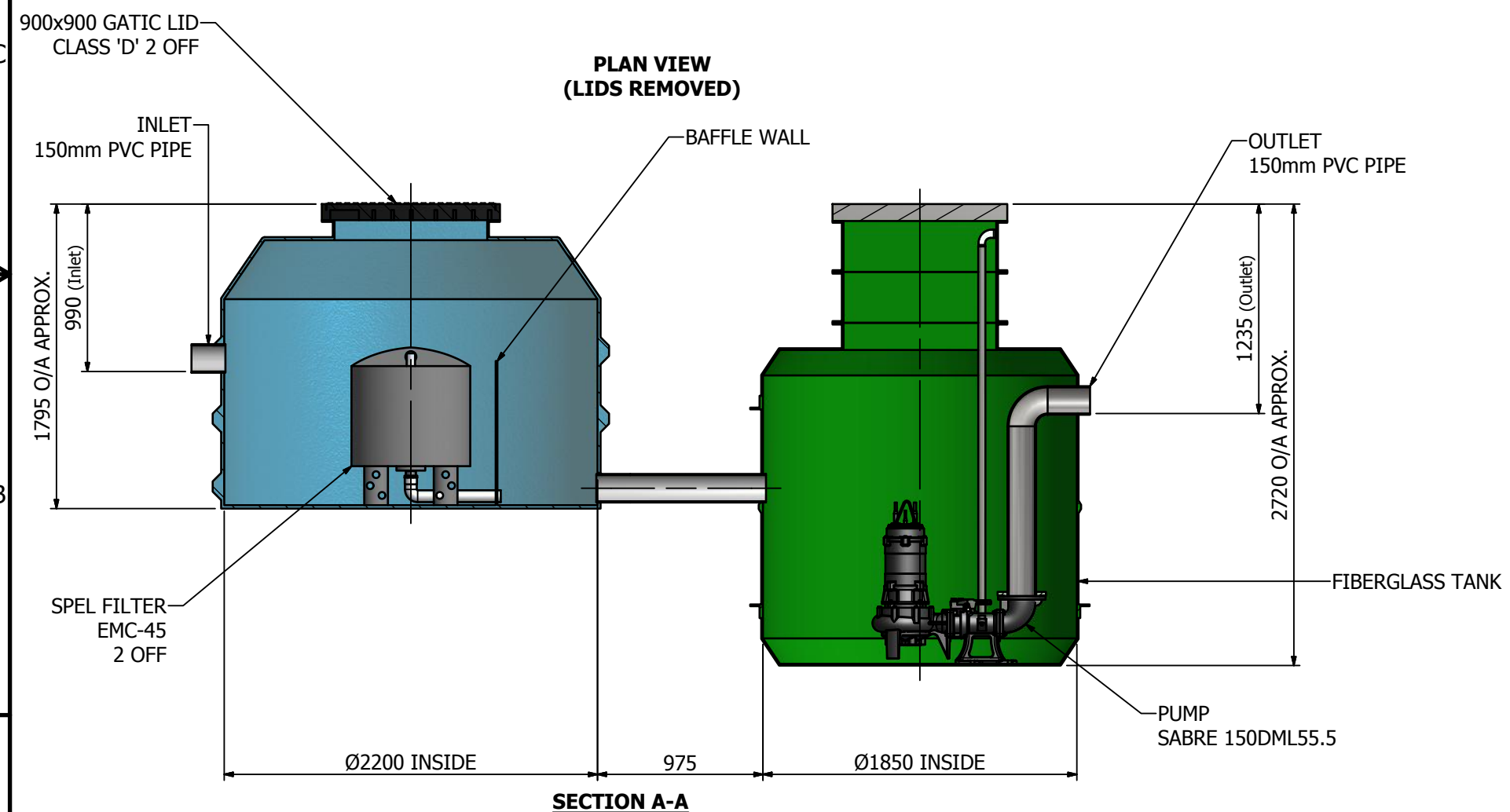
REVISION HISTORY				
REV	DESCRIPTION	DESIGNER	CREATION DATE	CHECKED BY
A	ISSUE FOR APPROVAL	J.Begg	14/01/2016	



**PLAN VIEW
(LIDS REMOVED)**



ISOMETRIC VIEW



SECTION A-A

TYPICAL DRAWING

TOLERANCE: ALL DIMENSIONS 10mm UNLESS OTHERWISE STATED.

CLIENT:

PACKAGED PUMP SOLUTIONS...ON TIME
 100 Silverwater Road Silverwater NSW 2128
 PH: 1300 225 786 | E: sales@allpumps.com.au

CONFIDENTIAL - The drawings must not be disclosed to any third parties without written permission from SPEL Environmental Sydney. Unauthorised disclosure may result in prosecution.
 © SPEL Environmental - This drawing is the property of SPEL Environmental ABN: 83 151 832 629 and is subject to return on demand. It is submitted for the use only in connection with the proposal and contracts of SPEL Environmental with the expressed conditions that it is not to be reproduced or copied in any form. This data must only be used in accordance with our standard terms and conditions.
 © Copyright
 SPEL Environmental accepts no responsibility for any loss or damage resulting from any person acting on this information. The details and dimensions contained in this document may change, please check with SPEL Environmental for confirmation of current specifications.

Drawn	Date
J.Begg	14/01/2016
Check	Date
Verified	Date
Approved	Date
Request No.	RN2233

100 Silverwater Road Silverwater NSW 2128
 PH: 1300 773 500 | E: sales@spel.com.au
 www.spel.com.au

PROJECT :			
TITLE SPEL ENVIRONMENTAL - SPEL BAYFILTER 2 CARTRIDGES - SBFV.1850.FG.2.A.375 GENERAL c/w KWIKFLO KPPS3000 PUMPSTATION GENERAL ARRANGEMENT DRAWING			
SCALE	N.T.S	SIZE	A3
SHEET	1	REV	A
STOCK CODE :	TBA	DWG No.	SP15-SF12990-P

C:\Users\j.begg\Documents\SP15-SF12990-P.dwg