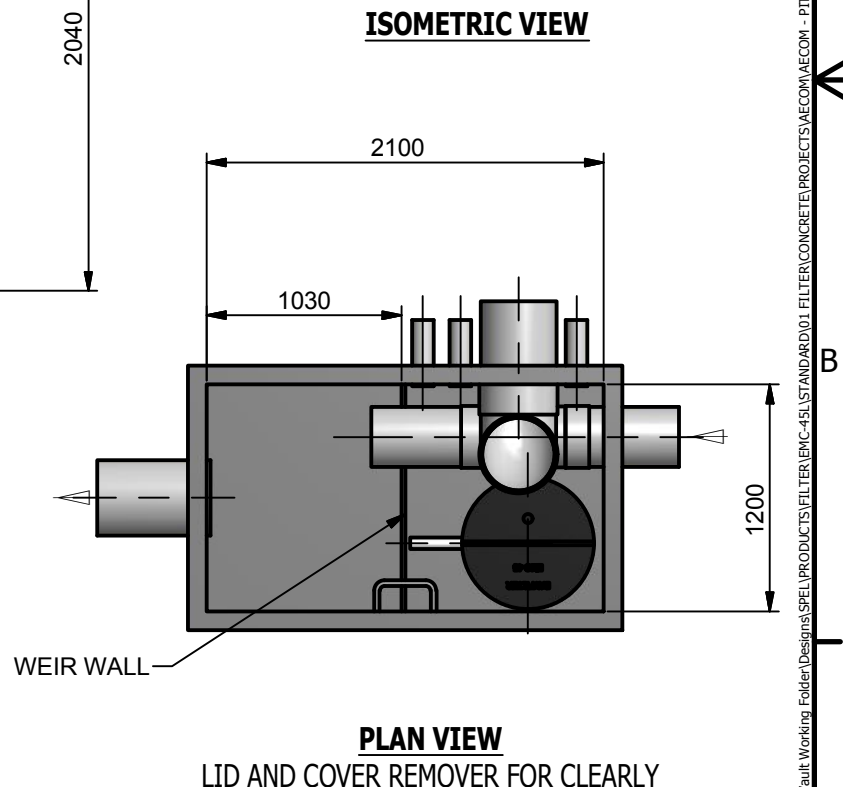
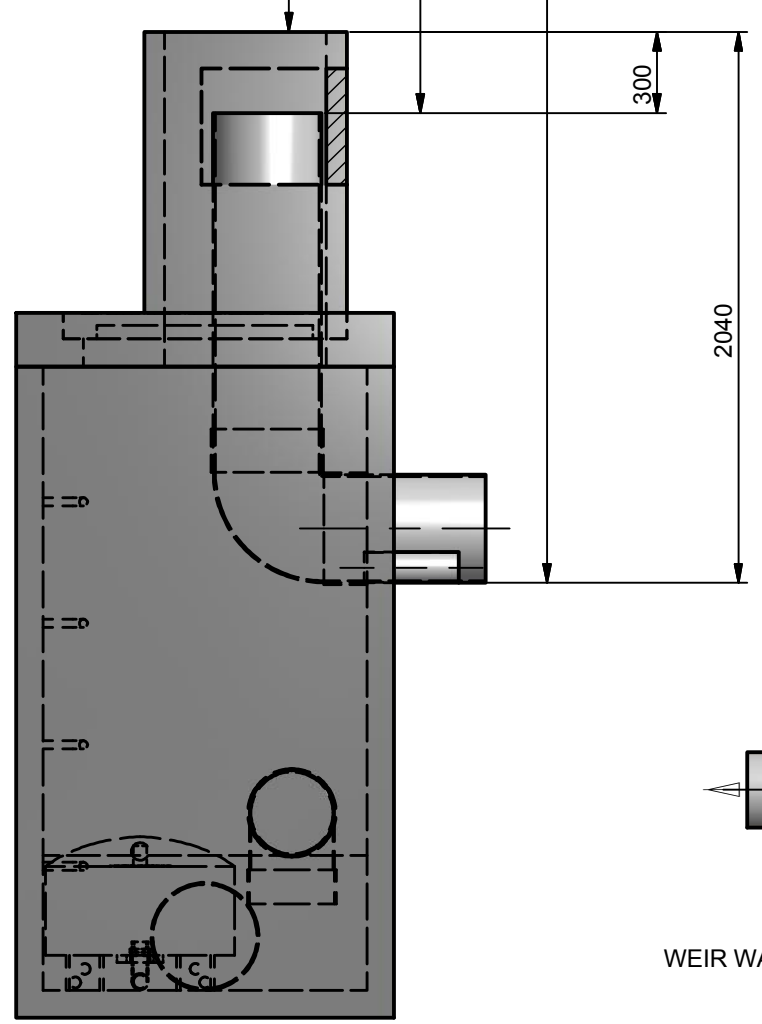
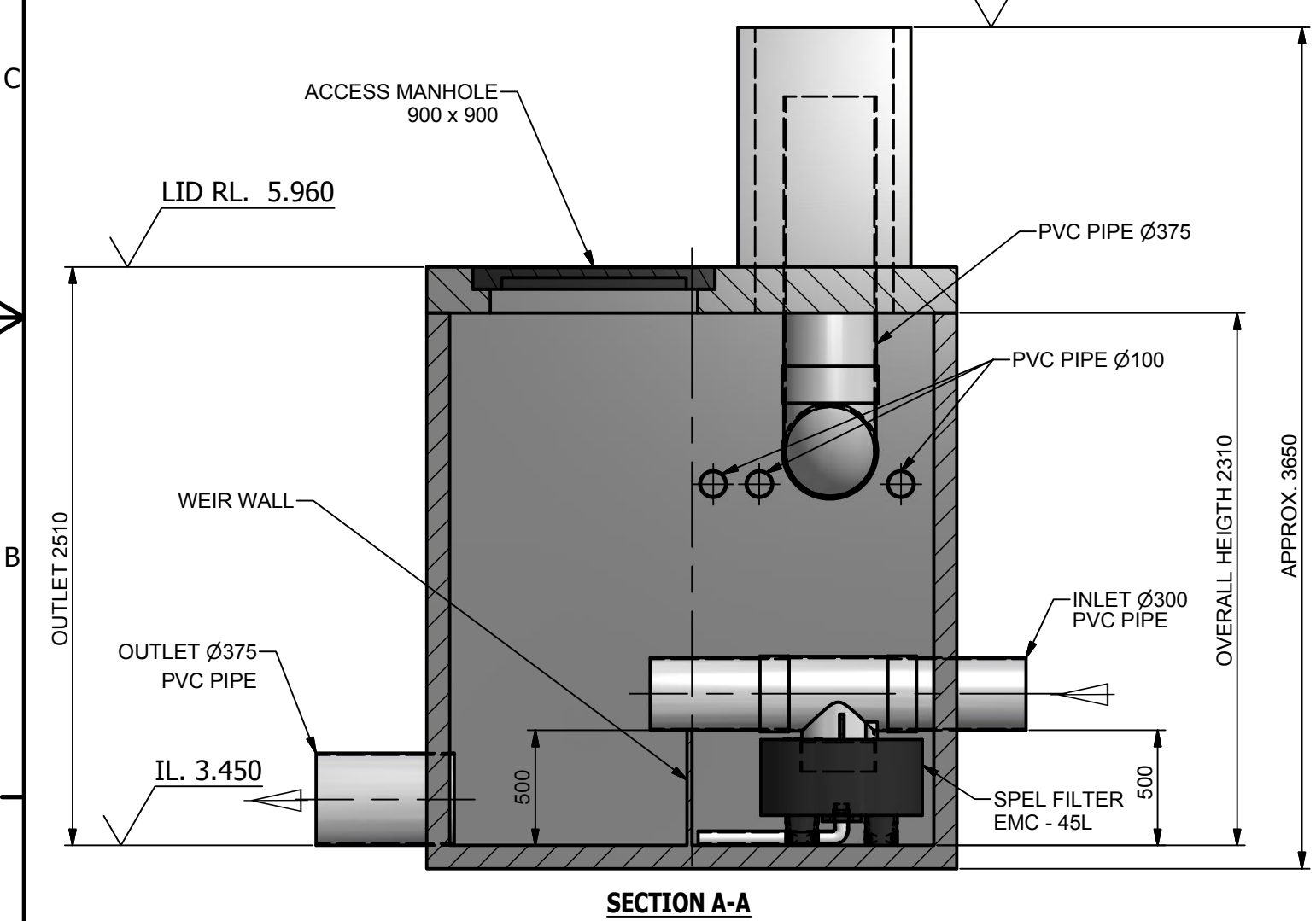
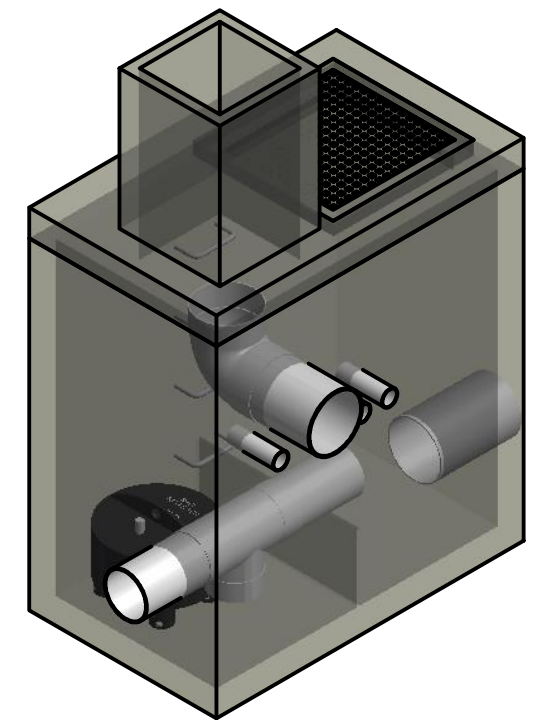
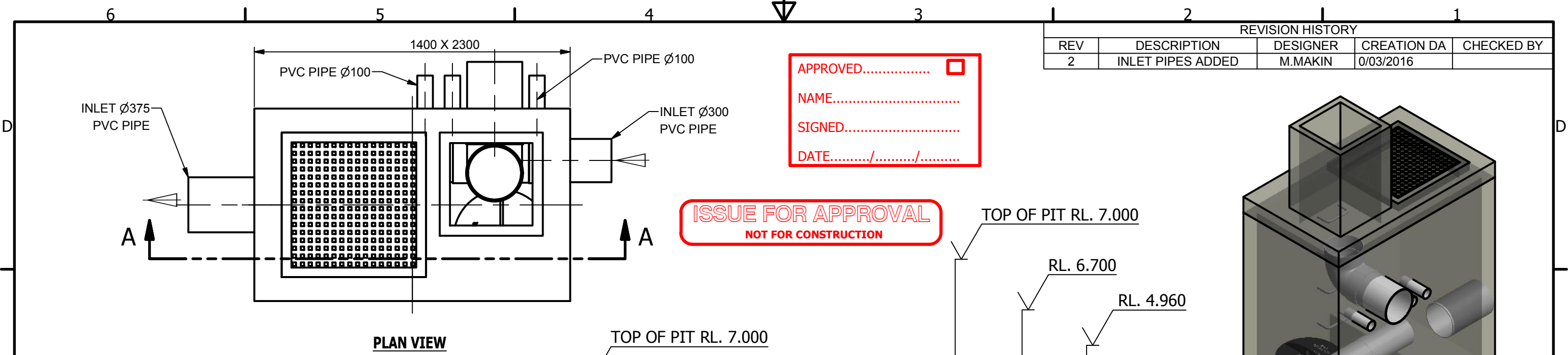


REVISION HISTORY				
REV	DESCRIPTION	DESIGNER	CREATION DA	CHECKED BY
2	INLET PIPES ADDED	M.MAKIN	0/03/2016	

APPROVED.....
 NAME.....
 SIGNED.....
 DATE...../...../.....

ISSUE FOR APPROVAL
NOT FOR CONSTRUCTION



TOLERANCE: ALL DIMENSIONS 10mm UNLESS OTHERWISE STATED.
 CLIENT:
 DISTRIBUTOR :

CONFIDENTIAL - The drawings must not be disclosed to any third parties without written permission from SPEL Environmental Sydney. Unauthorised disclosure may result in prosecution.
 © SPEL Environmental - This drawing is the property of SPEL Environmental ABN: 83 151 832 629 and is subject to return on demand. It is submitted for the use only in connection with the proposal and contracts of SPEL Environmental with the expressed conditions that it is not to be reproduced or copied in any form. This data must only be used in accordance with our standard terms and conditions.
 © Copyright
 SPEL Environmental accepts no responsibility for any loss or damage resulting from any person acting on this information. The details and dimensions contained in this document may change, please check with SPEL Environmental for confirmation of current specifications.

Drawn	Date
M.MAKIN	21/07/2016
Check	Date
Verified	Date
Approved	Date
Request No.	
RN2856	

PROJECT :
TITLE
SCALE
CUSTOMER CODE :

SPEL
 ENVIRONMENTAL
 INTEGRATED WATER SOLUTIONS
 100 Silverwater Road Silverwater NSW 2128
 PH: 1300 773 500 | E: sales@spel.com.au
 www.spel.com.au

TITLE	SPEL TREATMENT TRAIN SF.1812-01-14.CON.225.PVC GENERAL ARRANGEMENT PIT NO. 5AB/1		
SCALE	N.T.S	SIZE	A3
SHEET	1	REV	2
CUSTOMER CODE :	DWG No. SP16-SF8880-P		

D:\Vault\Working\Folder\Designs\SPEL\PRODUCTS\FILTER\EMC-45L\STANDARD\01_FILTER\CONCRETE\PROJECTS\AECOM\AECOM - PIT NO. 5AB-1\SP16-SF8880-P.dwg