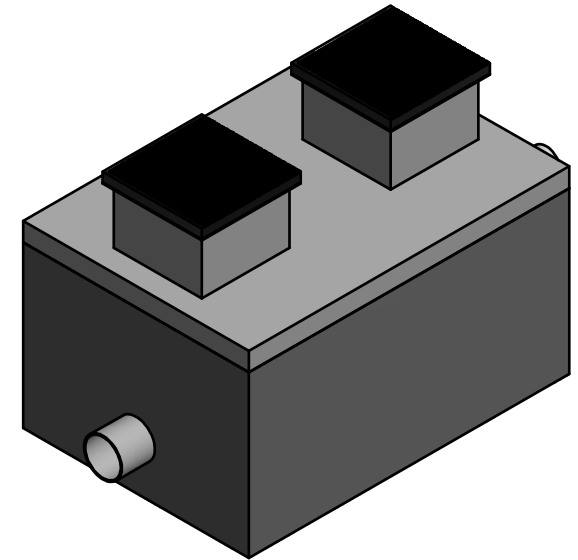
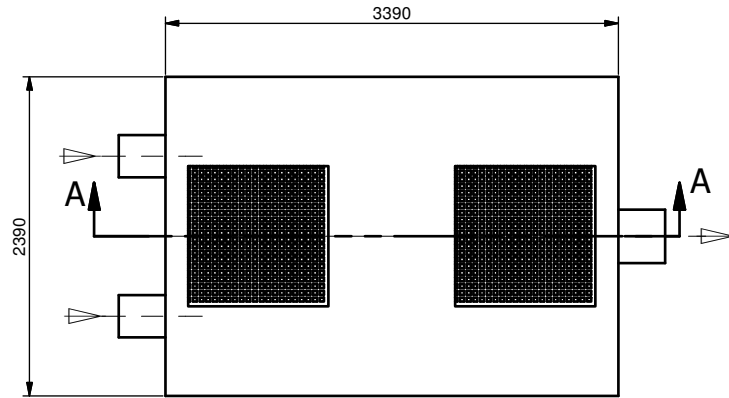


REVISION HISTORY				
REV	DESCRIPTION	DESIGNER	CREATION DA	CHECKED BY
1	INITIAL RELEASE	M.MAKIN	16/12/2015	
2	RISER DIMENSION ADDED	P.Z.	22/01/16	

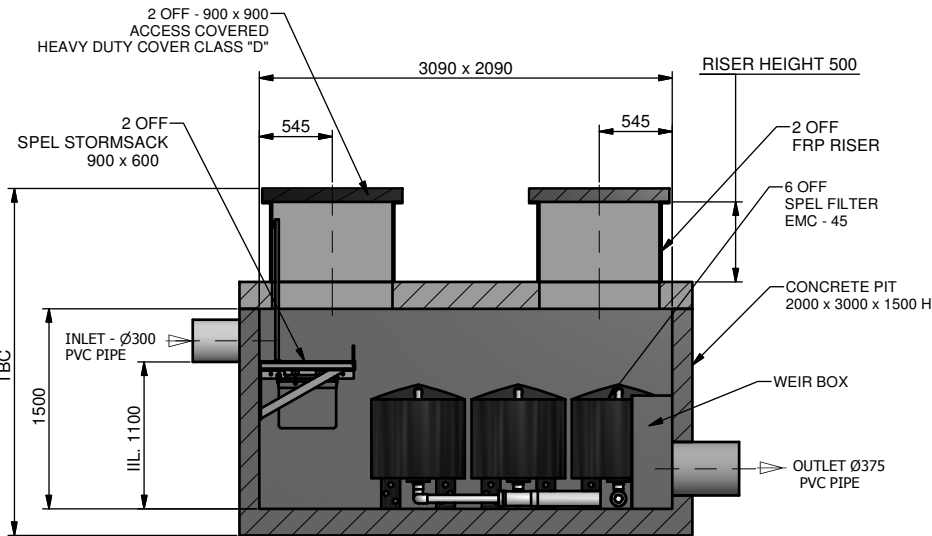
Site Level Confirmation	
Finished Surface Level (FSL) RL:	
Access Cover Thickness	mm
Inlet Invert Level RL:	
Outlet Invert Level RL:	
Company:	
Name:	
Date:	



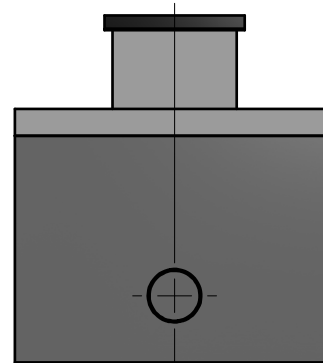
ISOMETRIC VIEW



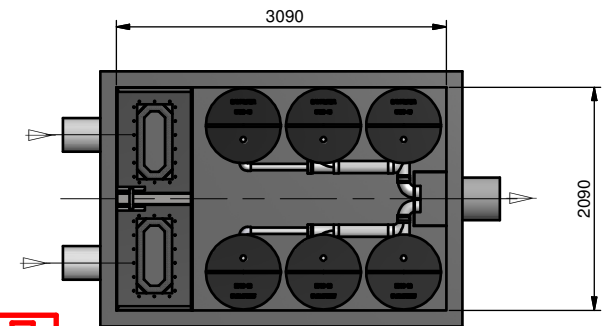
ELEVATION VIEW



SECTION A-A



SIDE VIEW



PLAN SECTION VIEW

ISSUE FOR APPROVAL
NOT FOR CONSTRUCTION

APPROVED.....
 NAME.....
 SIGNED.....
 DATE...../...../.....

NOTE:
FINAL WEIR HEIGHT SUBJECT
TO HYDROLOGIC MODELING.

TOLERANCE: ALL DIMENSIONS 10mm UNLESS OTHERWISE STATED.

CLIENT:

CONFIDENTIAL - The drawings must not be disclosed to any third parties without written permission from SPEL Environmental Sydney. Unauthorised disclosure may result in prosecution.
 © SPEL Environmental - This drawing is the property of SPEL Environmental ABN: 83 151 832 629 and is subject to return on demand. It is submitted for the use only in connection with the proposal and contracts of SPEL Environmental with the expressed conditions that it is not to be reproduced or copied in any form. This data must only be used in accordance with our standard terms and conditions.
 © Copyright
 SPEL Environmental accepts no responsibility for any loss or damage resulting from any person acting on this information. The details and dimensions contained in this document may change, please check with SPEL Environmental for confirmation of current specifications.

Drawn	M.MAKIN	Date	22-01-16
Check		Date	
Verified		Date	
Approved		Date	
Request No.	RN2188		

SPEL
 ENVIRONMENTAL
 INTEGRATED WATER SOLUTIONS

100 Silverwater Road Silverwater NSW 2128
 PH: 1300 773 500 | E: sales@spel.com.au
 www.spel.com.au

PROJECT :			
TITLE SPEL TREATMENT SYSTEM VAULT & SPEL FILTER GENERAL ARRANGMENT			
SCALE	N.T.S	SIZE	A3
SHEET	1	REV	2
CUSTOMER CODE :	DWG No. SP15-SF12550-P		