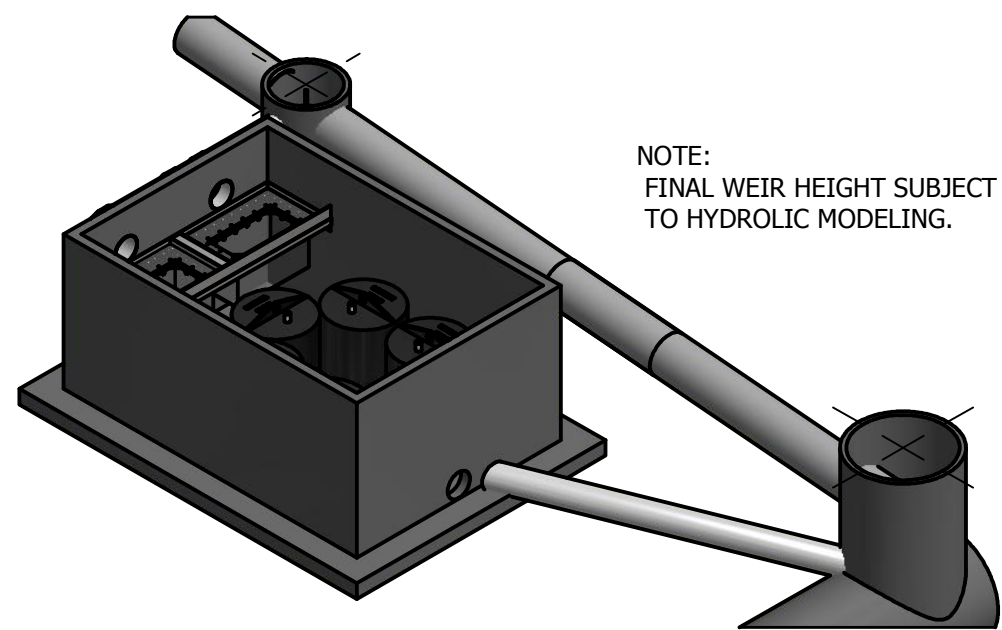
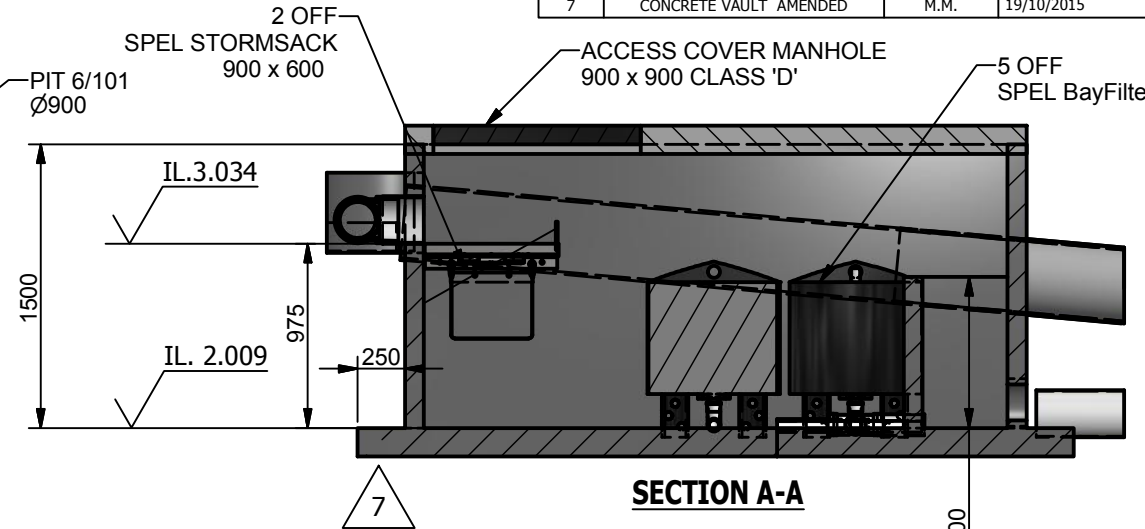
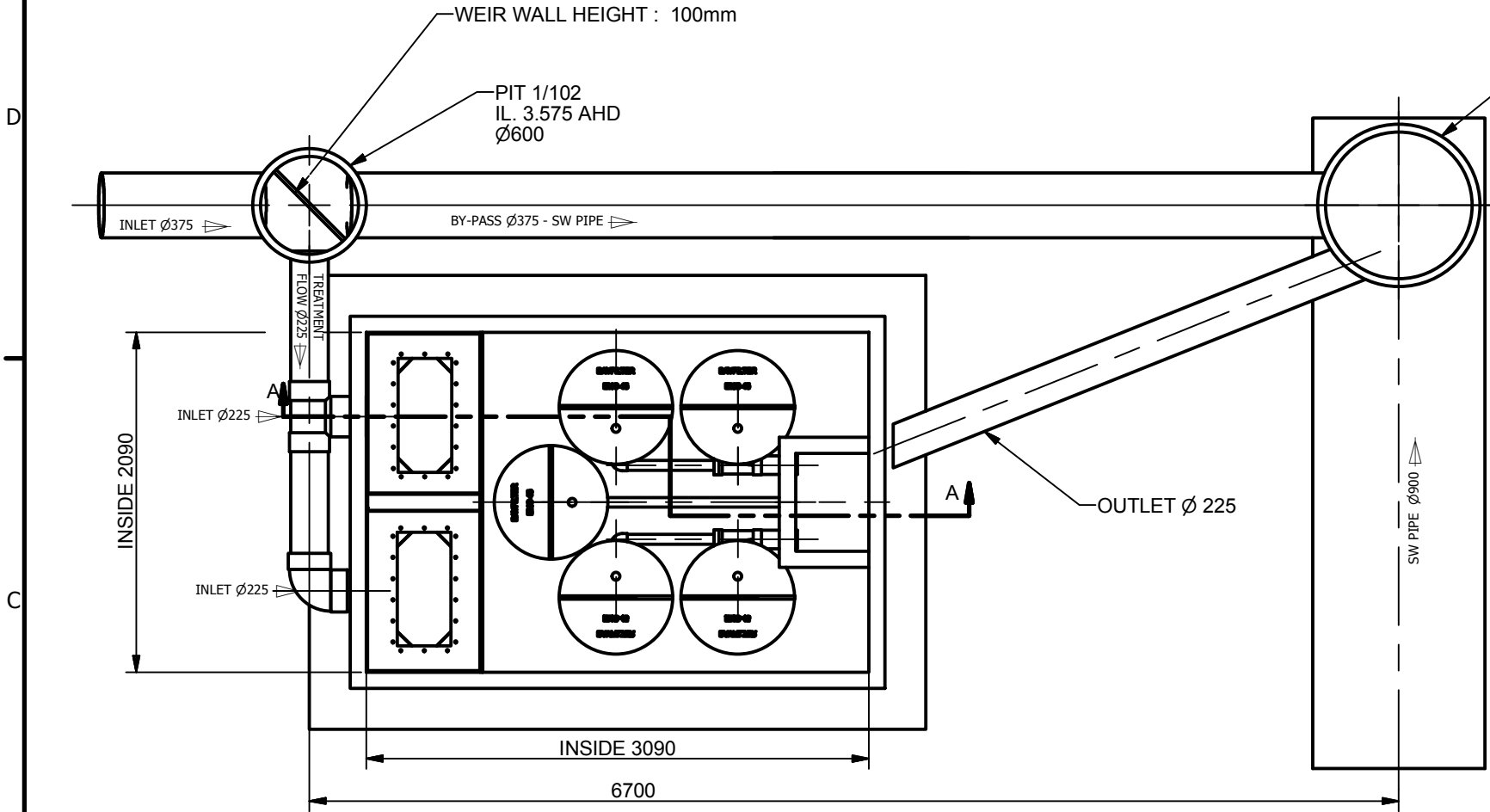
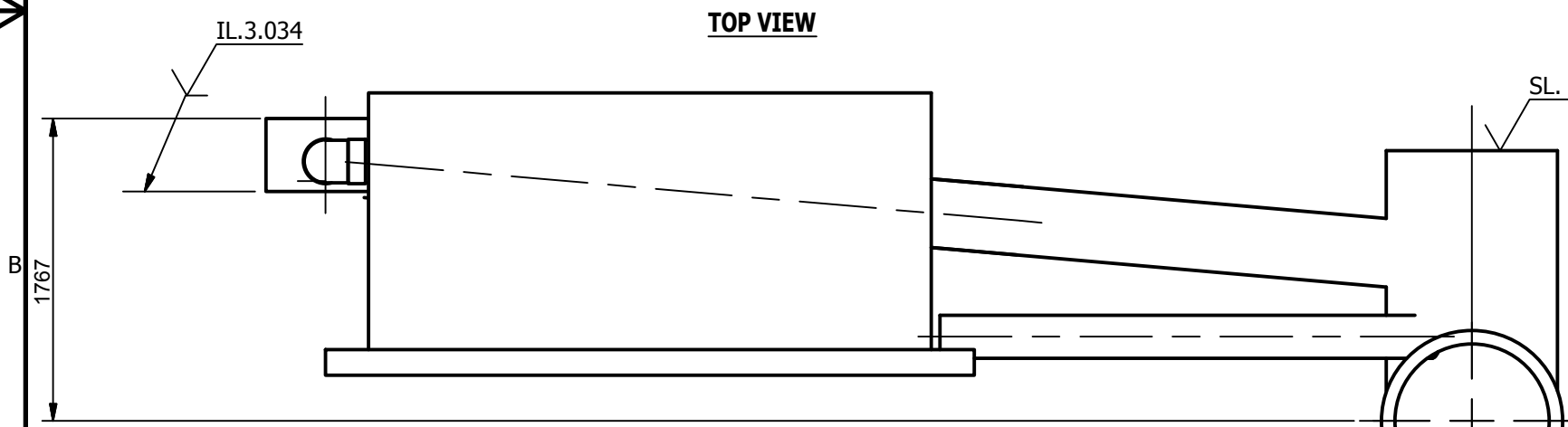


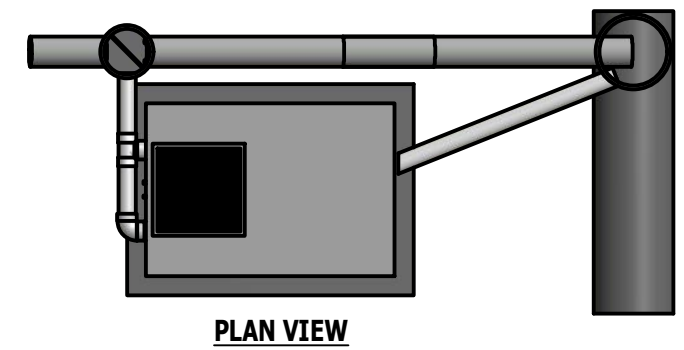
REVISION HISTORY				
REV	DESCRIPTION	DESIGNER	DATE	CHECKED BY
7	CONCRETE VAULT AMENDED	M.M.	19/10/2015	



NOTE:
FINAL WEIR HEIGHT SUBJECT
TO HYDROLOGIC MODELING.



Site Level Confirmation	
Finished Surface Level (FSL)	RL:
Access Cover Thickness	mm
Inlet Invert Level	RL:
Outlet Invert Level	RL:
Company:	
Name:	
Date:	



APPROVED.....
 NAME.....
 SIGNED.....
 DATE...../...../.....

ISSUE FOR APPROVAL
NOT FOR CONSTRUCTION

ELEVATION VIEW

TOLERANCE: ALL DIMENSIONS 10mm UNLESS OTHERWISE STATED.

CLIENT:
 DISTRIBUTOR :

CONFIDENTIAL - The drawings must not be disclosed to any third parties without written permission from SPEL Environmental Sydney. Unauthorised disclosure may result in prosecution.
 © SPEL Environmental - This drawing is the property of SPEL Environmental ABN: 83 151 832 629 and is subject to return on demand. It is submitted for the use only in connection with the proposal and contracts of SPEL Environmental with the expressed conditions that it is not to be reproduced or copied in any form. This data must only be used in accordance with our standard terms and conditions.
 © Copyright
 SPEL Environmental accepts no responsibility for any loss or damage resulting from any person acting on this information. The details and dimensions contained in this document may change, please check with SPEL Environmental for confirmation of current specifications.

Drawn M.M. Date 23/06/2015
 Check Date
 Verified Date
 Approved Date
 Request No.

PROJECT :
 TITLE SPEL TREATMENT SYSTEM VAULT & SPEL FILTER GENERAL ARRANGMENT
 SCALE N.T.S SIZE A3 SHEET 1 REV 7
 CUSTOMER CODE : DWG No. SP15-SF8590-P

SPEL
 ENVIRONMENTAL
 INTEGRATED WATER SOLUTIONS
 100 Silverwater Road Silverwater NSW 2128
 PH: 1300 773 500 | E: sales@spel.com.au
 www.spel.com.au

CLIENT:
 DISTRIBUTOR :