

SPEL Separator Commissioning Operation and Maintenance

SPEL

Stormceptor Off-Line Class 1

Operation and Maintenance Manual

Introduction

Congratulations on your purchase of a SPEL Environmental Stormwater Quality Improvements Device. With proper care and by following a few simple guide lines your system will give you many years of dependable service.

Important

Only qualified personnel should maintain, operate and repair you Stormwater system. Any wiring of equipment should be performed by a qualified electrician.

Warning

Operation may cause injury. Take all necessary precautions, wear protective equipment, refer to Engineers Department. For your own safety, read all instruction manuals prior to working on equipment.

Safety Precautions

- Follow all “occupation, health and safety” regulations.
- Ensure maintenance personnel are aware of “Confined Spaces” guidelines, which must be followed.
 - Make sure that there is sufficient oxygen and that there are no poisonous gases present.
 - Check the explosion risk before welding or using electric hand tools.
 - Do not ignore health hazards. Observe strict cleanliness.
 - Ensure that the lifting equipment (where required) is in good condition.
- All personnel who are to work with these systems should be vaccinated against diseases that can occur.
 - Keep a first aid kit handy.

Health & Safety

Maintenance should be carried out by a competent contractor in accordance with the above procedures.

Health and Safety at Work legislation and good building practice.

A warning notice should be visible at the top of each access shaft - ‘danger, harmful fumes’ and ‘respirators should be worn in this tank.’ Before entering persons must be qualified in accordance with ‘confined space’ requirements



Information contained in this data sheet is approximate and for general guidance only. In accordance with the companies policy of constant improvement and development SPEL Products reserves the right to change the specification without prior notice.

Stormceptor Off-Line Class 1

SPEL **Operation and Maintenance Manual**

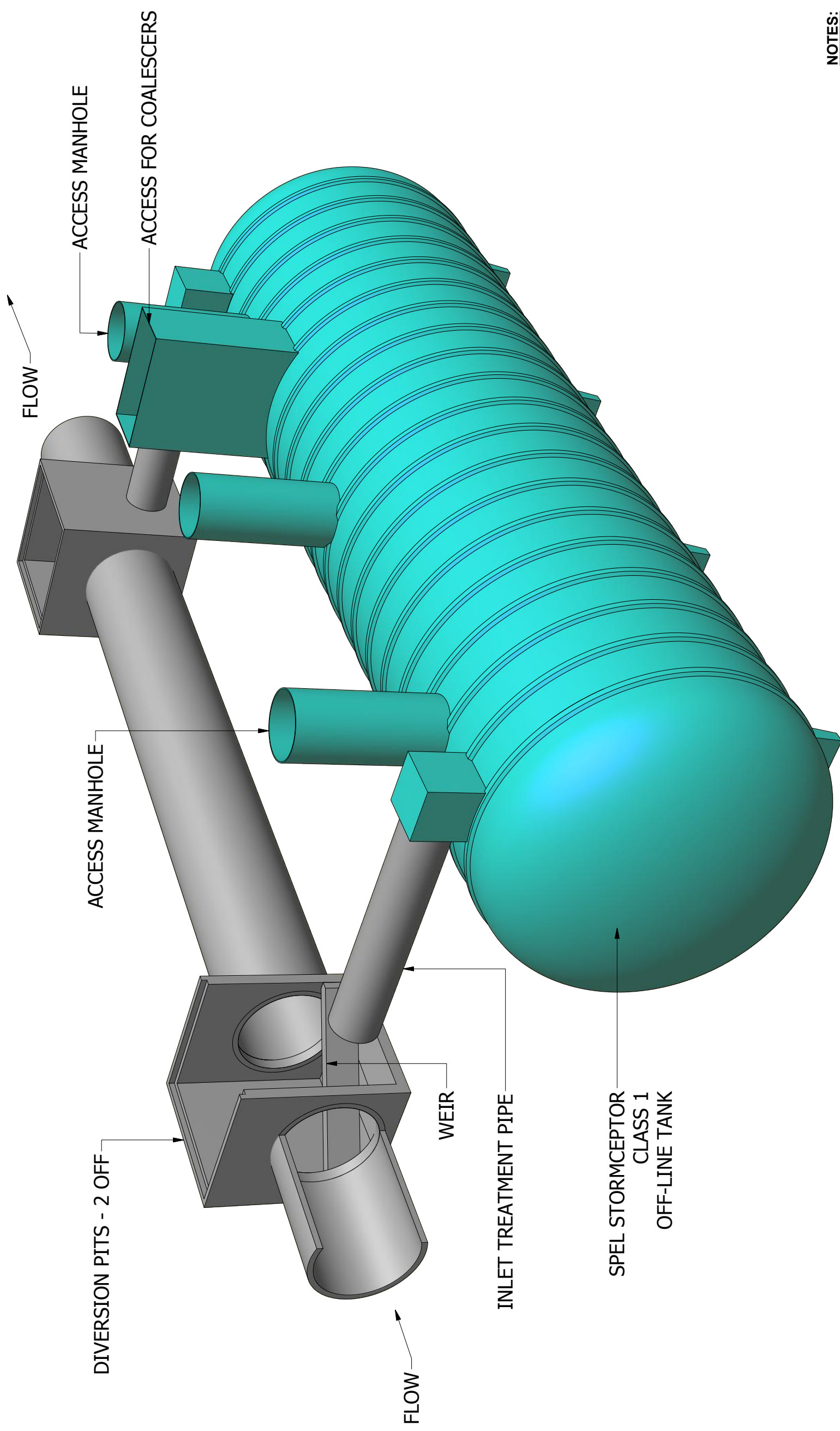
Car Parks & Shopping Centres
Council Depots
Industrial Estates
Mining & Heavy Vehicle
Maintenance & Storage Areas
Transport Depots & Loading Bays
Tunnels
Highways & Transport Corridors
Recycling Yards
Airport Aprons & Tarmacs

Contents

SPEL Stormceptor - How it works	page 2
SPEL Stormceptor Maintenance	page 3
SPEL Coalescer Units	page 4
SPEL Oil Alert System (optional)	page 5
Spare Parts List	page 7

STORMCEPTOR OFF-LINE

GENERAL ILLUSTRATION



NOTES:
 MATERIAL = FIBREGLASS
 MATERIAL COLOR = CYAN

SPEL ENVIRONMENTAL

**STORMCEPTOR® PURACEPTOR® TRICEPTOR®
 STORMWATER QUALITY
 IMPROVEMENT DEVICE**

83 - 87 FENNELL ST, PARRAMATTA
 NSW, 2150.
 PH: + 61 2 8838 1000
 FAX: + 61 2 9630 0369
 EMAIL: sales@spelenvironmental.com.au
 www.spelenvironmental.com.au

TITLE: SPEL STORMCEPTOR OFF-LINE CLASS 1
 TYPICAL ARRANGEMENT - NEW
 PERSPECTIVE

DATE: 17/6/2011
 BY: J.L.

REVISED FOR FABRICATION

SIZE: A3
 CODE: N/A
 SCALE: N.T.S.

DWG No: SP11-7220
 DRAWN BY: P. LEE
 DATE: 18/9/2012

REV: 1
 SHEET: 1 of 1

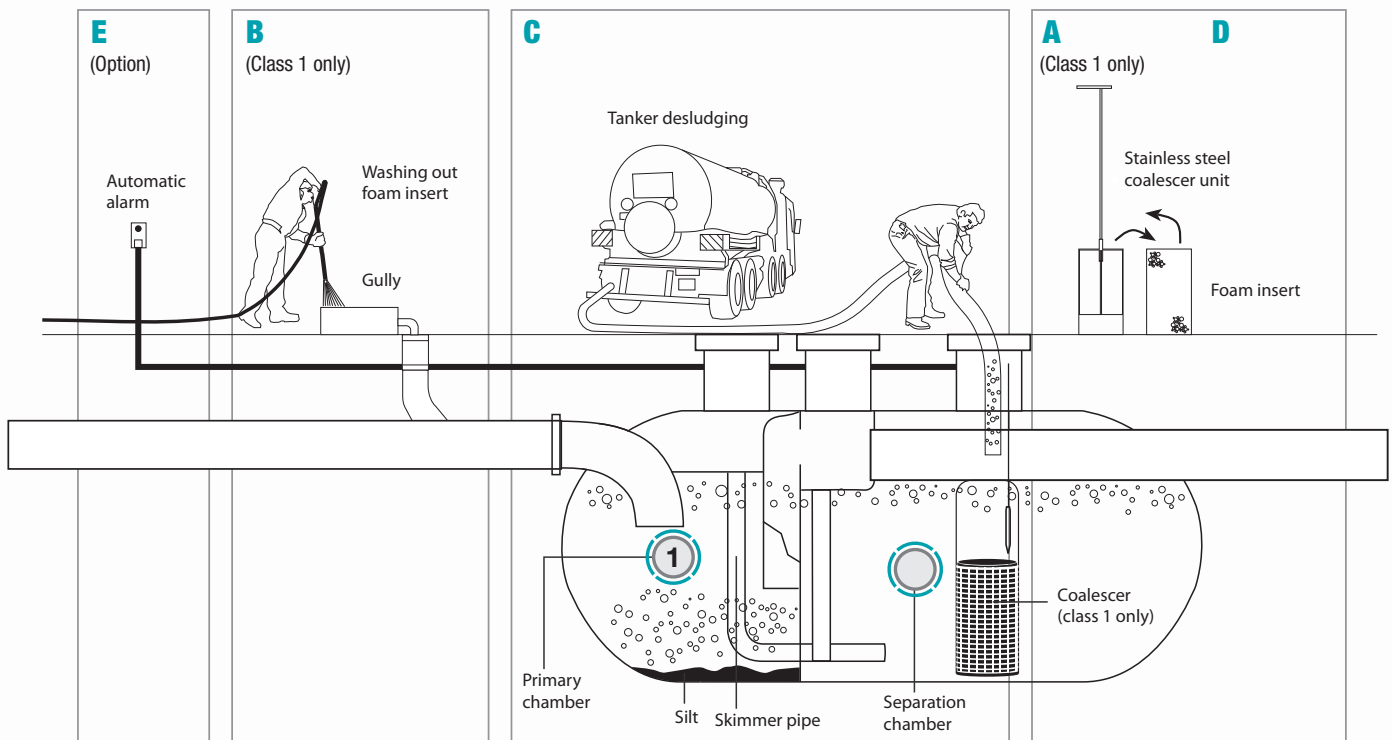
SPEL SPEL STORMCEPTOR™ Off-Line CLASS 1

Stormceptors™ should be inspected at three - six - or twelve monthly intervals depending on site conditions, to determine the depth of retained pollutants and silt in both chambers. When the depth of the pollutants retained has reached the predetermined design level, (approx. 350mm) it should be cleaned out.

- 1 PRIMARY CHAMBER:** The inlet connects directly into chamber 1 - the primary chamber where silt etc. is deposited and light liquids are skimmed off to be transferred to the main separation chamber, chamber 3.

Maintenance requires the removal of accumulated silt etc., checking the skim pipe is not blocked and removing floating debris.

- 2 SECONDARY/SEPARATION CHAMBER:** The separation chamber is where the light liquids are retained and in the case of "Class 1" Stormceptors™, where the coalescer units are incorporated. If coalescer units are incorporated, these should be removed and cleaned in accordance with the requirements set out in the coalescer Data Sheet. Retained light liquids should be removed from the top and any sediment from the bottom.



MAINTENANCE PROCEDURE

A Coalescer unit (Class 1 only)

Use the lifting handle or chain and lift the coalescer unit out of the tank and place in a retained area so pollutants do not escape.

B Cleaning foam insert (Class 1 only)

Remove foam insert and wash with normal water pressure ensuring the dirty water runs into the Stormceptor™.

C Sucking out oil/fuel and silt

Suck off the retained oil from both chambers of the Stormceptor™ and then the silt deposited on the bottom of each chamber.

D Re-insert coalescer unit

Re-insert the foam insert into the stainless steel coalescer unit and re-insert the coalescer unit into the Stormceptor™ as provided with the SPEL lifting/location/locking system.

There is no need to top-up the Stormceptor™ with clean water as it will self level at the next rain event.
Note: The Stormceptor™ may need filling if for some reason the unit was totally emptied.

E SPEL automatic alarm/monitoring system (option)

The SPEL automatic alarm/monitoring system probe should be lifted out of the probe protection tube, wiped clean and re-inserted. the system should now be reset according to instructions.

Important note:

When cleaning out, ensure both chambers are sucked out equally starting with the first chamber and then the second chamber and back again. Ensuring even water pressure against baffle wall.

SPEL SPEL COALESCER UNITS

The SPEL Puraceptor™ Class 1 separator and the SPEL Stormceptor™ Class 1 by-pass separators incorporate coalescer units. The coalescer units provide a coalescence process for the separation of small globules of light liquid pollutants before final discharge to the surface water drain.

Coalescers are found in the second chamber of the SPEL Puraceptor™ and the second chamber of the SPEL Stormceptor™ Class 1

Prior to installation

1. Remove any strapping / ropes which have been used to hold the coalescer units from shifting in transit.
2. The access shaft(s) above the coalescer units should be covered to prevent ingress of concrete, dust, debris etc., which could clog the foam inserts.
3. On completion of installation, check that the coalescer unit is inserted securely into the base socket.

On heavily polluted sites silt and contaminants may build up in the coalescer unit foam inserts and add significantly to its weight. Use lifting chain sets that are on hooks at ground level for safe lifting with a tripod or hoist.

Installation

During installation, it is important that the foam inserts are not clogged with dust, debris or drops of wet concrete. To safeguard against this, we recommend covering the access shaft with a sheet of polythene, if not already covered.

Commissioning

On completion of installation, check the foam insert is fitted inside the stainless steel coalescer unit and the coalescer unit is inserted securely into the base socket.

Maintenance

1. Lift handle and coalescer unit out of the tank and place in a retained area so pollutants do not escape.
2. Remove foam insert and wash with normal water pressure ensuring the dirty water runs into the Puraceptor™ / Stormceptor™.
3. Make sure the hole in the centre of the coalescer foam is facing towards the manhole when installed in the tank.
4. Re-insert the foam insert into the stainless steel coalescer unit and re-insert the coalescer into the Puraceptor™ / Stormceptor™. After the tank has been cleaned.

SPEL COALESCER UNITS GUIDE RAIL SYSTEM/LIFTING, LOCATING AND LOCKING SYSTEM

SPEL coalescer unit guide rail system

This facilitates easy insertion and removal of coalescer units. The system is robust, manufactured throughout in stainless steel and is action positive, leaving no doubt the coalescer unit is located properly.

Brackets fixed to the top and bottom of the coalescer unit simply engage the stainless steel guide rail fixed to the top of the stub access shaft. The coalescer is then lowered in the normal way, being guided at the correct angle into the conical base unit which finally locates the coalescer unit into its final position.

Extension guide rails can be incorporated into the SPEL extension shafts to suit (preferably when ordered with the separator).

However, when the separator is full of water, debris or sludge accumulated over a period could prevent the coalescer unit from re-seating correctly after servicing.

The coalescer unit lifting / locating / locking system ensures the coalescer unit is seated correctly and can be locked into position to prevent tampering.

The stainless steel lifting handle can be extended to suit deep tank inverters and provide easy access for lifting manually or with a tripod and hoist utilising the lifting hook.

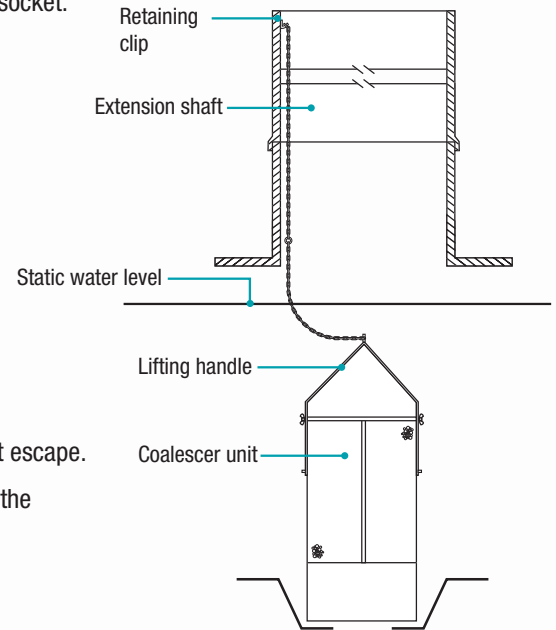


Figure 1. Coalescer unit with lifting chains

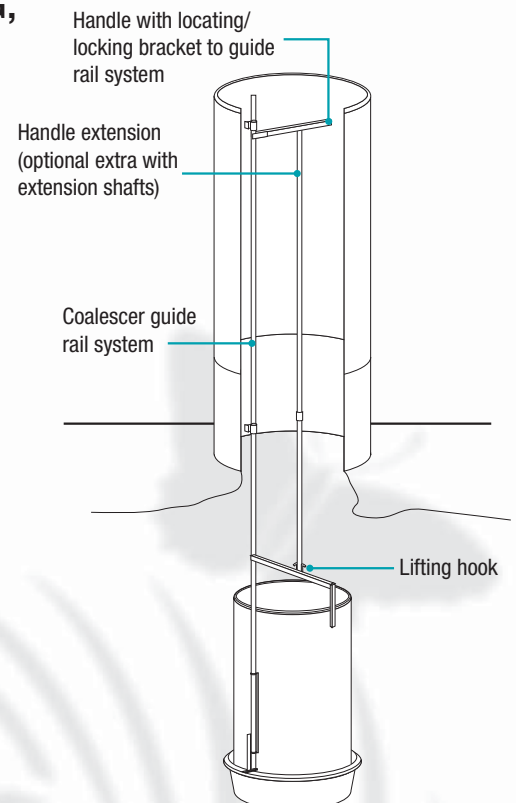
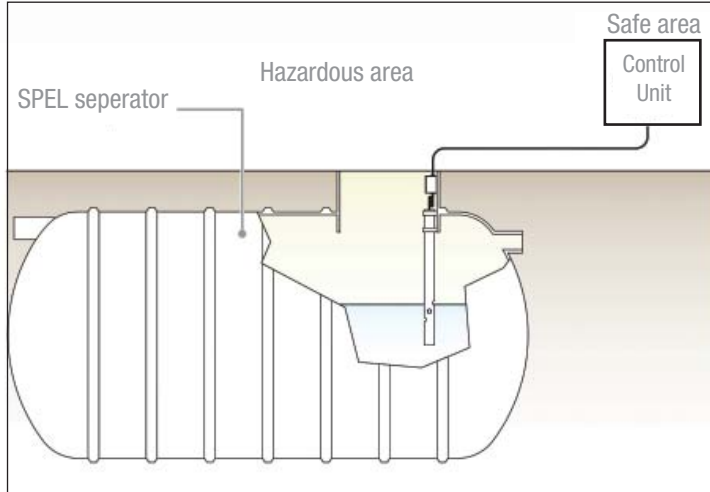


Figure 2. SPEL coalescer unit guide rail system/lifting, locating and locking system

The SPEL automatic alarm/monitoring system provides a audible warning alarm when the level of the oil in the SPEL separator reaches approximately 10% of the storage volume under static liquid level conditions. This is a early warning system that is used for spills or lack of maintenance.

The system comprises of a probe mounted in the main separation chamber which senses when the designed volume of light liquids has accumulated and sends a signal to the electronic control unit activating a red 'empty now' warning light and an audible alarm,



Operation

The probe is freely suspended in the probe protection tube in the separator at the correct level. When the oil-layer or depth of hydrocarbons reaches the predetermined level, the top of the probe will be immersed in the oil, breaking the circuit and activating the alarm. It is a 'fail-safe' system providing complete assurance that it is operative. If a fault occurs it will be signalled immediately.

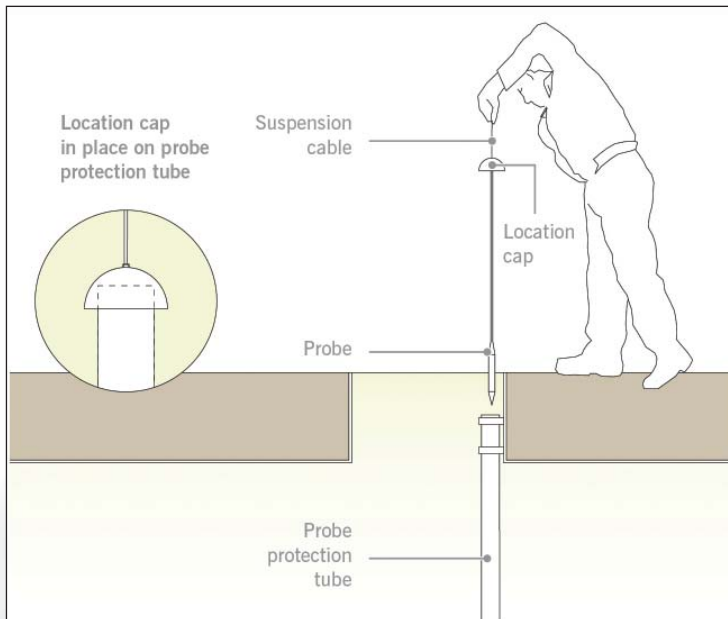
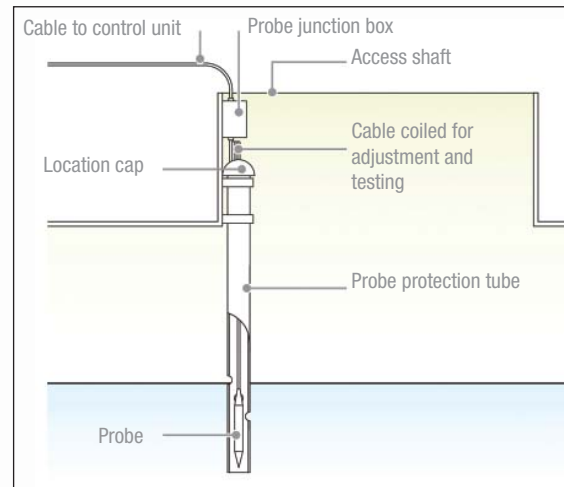
Installation

Control unit (general positioning)

The control unit has been designed to be located indoors and outdoors, within a nonhazardous area. It should be wall mounted and positioned such that the LED display and push switches on the front panel can be readily seen and accessed. The unit can be secured to the wall by using the four mounting holes provided. Included within the control is an intrinsically safe circuit (approved according to ATEX Directive 94/9/EC), to which the probe unit is connected.

Maintenance

When the separator is maintained, lift the probe out of the probe protection tube, check it operates the alarm (see under Tests Ref. 10.2) and at the same time wipe oil and contaminants from the probe to prevent a fake alarm after re-inserting.



Insert probe onsite

The probe protection tube is factory fitted and the probe matched to ensure the alarm is activated when the light liquids reach approximately 10% of the storage volume the SPEL separator is designed for.

All that is required on site is to undertake the electrical installation in accordance with the instructions provided and lower the probe with the pre-fixed location cap into the probe protection tube. When the cap locates onto the top of the probe protection tube, the probe is suspended at the correct level.

Control unit (electrical connections)

1. Mains voltage connection;

The control unit should be connected to a suitable 220/240V AC supply and fused at 3 amps.

Note: This appliance must be earthed.

2. Control unit/probe junction box connection

Wiring from the control unit to the probe junction box in the separator chamber requires a 3-core screened, 0.75mm core section cable.

Maximum cable length: 300 metres.

3. Probe connection

A 5 metre 3-core probe cable is normally fitted to the junction box and the probe.

After all connections have been made, the cables must be secured by tightening each entry gland.

Probe

The probe is installed freely suspended in the SPEL separator within the probe protection tube. The 3-core cable is connected into the junction box mounted in the access shaft above the probe protection tube. Extra cable is provided to enable raising the junction box where extension shafts are incorporated.

Important note: In all cases good, standard electrical practice should be followed and the installation must conform to the Australian Wiring Rules – AS 3000 – 2007. In essence, the installation must be such that the intrinsic safety is no compromised by:

- Exposure to risk of mechanical damage
- Unauthorised modification of interference
- Exposure to moisture, dust and foreign bodies
- Excessive heat
- Invasion of intrinsically safe circuit by other electrical equipment or circuitry

Certificate of conformity

The alarm device has been approved to be used in explosion-hazardous areas. The control unit and probe are approved according to ATEX Directive 94/9/EC. These approvals mean that the probes can be installed in Zone 0, which is continuously explosion-hazardous.

The SPEL oilset control unit must be located in the safe area, but it can be connected to the probe without any barrier.

Tests (10.2)

The function can be tested by lifting the probe within the probe protection tube. In approximately 5 seconds, the alarm is given by a red light and audible signal. Both relays release. Push the RESET button - the buzzer goes off and relay pulls in.

When the probe is placed in water again, relay pulls in and the red light goes off.

Cable break and short circuit test

Also the function can be tested in case of cable fault or short circuit. First cause short circuit in probe cable terminals 1 and 2. Then the yellow light of short circuit is lit. Both the relays pick up and the buzzer goes on. Remove the short circuit and reset the buzzer.

Simulated Function Test

The function of probe, cable and electronics can be tested. Push the TEST button for 2 to 5 seconds. Both relays pick up, and the red light is lit. When the TEST button is released, the red light goes off and relay returns to its normal position. The buzzer and relay must be reset.

Installation

Important note: It is important that installation is carried out by a competent technician familiar with this type of equipment or contact our Special Products Division for installation, commissioning and maintenance service.

SPARE PARTS LIST

DATE: _____

INVOICE NO: _____

TYPE: _____

MODEL: _____

SERIAL NO: _____

JOB NO: _____

LINE	DESCRIPTION	QTY	PART No.
1			
2			
3			
4			
5			
6			
7			
8			

For all spare parts enquiries, please ring 02 8838 1055