

Overview

The SPEL VORTCEPTOR GPT is a non-blocking hydrodynamic separator that has a unique screen and treatment action producing low vortex conditions resulting in excellent pollution removal performance and resulting high water quality outcomes.

It separates and captures gross pollutants, sediments, silt, total suspended solids, some nutrients and oil and grease.

Applications

- Shopping Precinct
- Commercial Zones
- Recreational Grounds
- Light Industrial Areas
- Beaches & Parks

The Efficiency Ratio (ER) is:

VORTCEPTOR GPT Treatment Device	
Total Suspended Solids	70%
Total Phosphorus	30%
Total Nitrogen	Variable %
Gross Pollutants	99.99%

The one piece VORTCEPTOR GPT is delivered to site fully assembled saving on installation time and crane costs. The fibreglass GPT can be installed in all types of trafficable zones, including vehicular truck (Class D).

The Inline and Offline series is manufactured from the standard single tank dia below

Diameter (mm)
1520
1600
1800
2200
2500
3000
4000

OFFLINE SERIES MODEL No. SV0.096

Dimensions (mm)

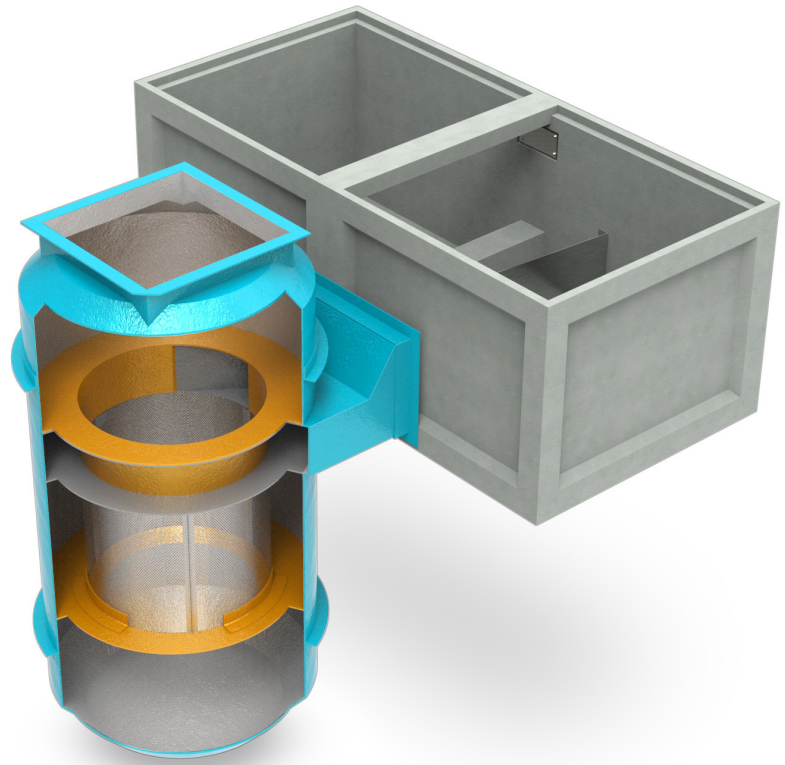
Internal Diameter	Overall Width	Depth below invert	Manhole size
1520	1670	2200	900x900

Materials

- Reinforced Fibreglass
- Ribbed for structural strength/vertical anchoring
- One piece construction
- 900 x 900 mm flanged manhole access
- 316 SS VORTCEPTOR Screen
- Additional manhole extensions (if required).

Capacities

Sump Capacity (m³)	Floatables Volume (m³)	Treatable Flow rate (L/s)	Bypass Flow rate (L/s)
2.5	0.35	96	1250



NSW OFFICE

100 Silverwater Rd, Silverwater NSW 2128

TEL: +61 2 8705 0255

FAX: +61 2 8014 8699

QLD OFFICE

96 Cobalt St Carole Park Qld 4300

TEL: + 61 7 3271 6960

FAX: + 61 7 3271 2207

ACN: 151 832 629 | ABN: 83 151 832 629

EMAIL: sales@spel.com.au

POSTAL: PO BOX 6144, Silverwater NSW 1811

www.spel.com.au